

Boiserie Juta - Special boiserie collection

design Laurameroni



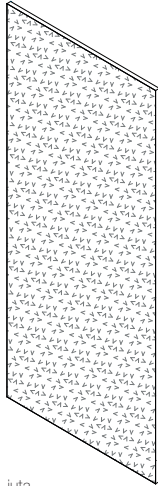
— Made-to-measure wooden wall panels with “Juta” texture available in the precious finishes in liquid bronze or tin metal. The “liquid metal” finish covers and impregnates the jute and cotton patchwork which is applied on the raw wood panel, with an always different direction.

— Pannelli boiserie in legno realizzati su misura con texture “Juta” proposti nelle preziose finiture in metallo liquido bronzo o stagno. La finitura “metallo liquido” riveste ed impregna il patchwork di juta e cotone che viene applicato sul pannello in legno grezzo, con un gioco di sovrapposizioni mai uguali.



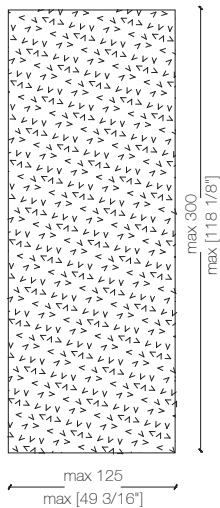
_dimensions

wall panel - pannello boiserie -
wandpaneel - panneau boiserie - Стеновая панель



_dimensions limits

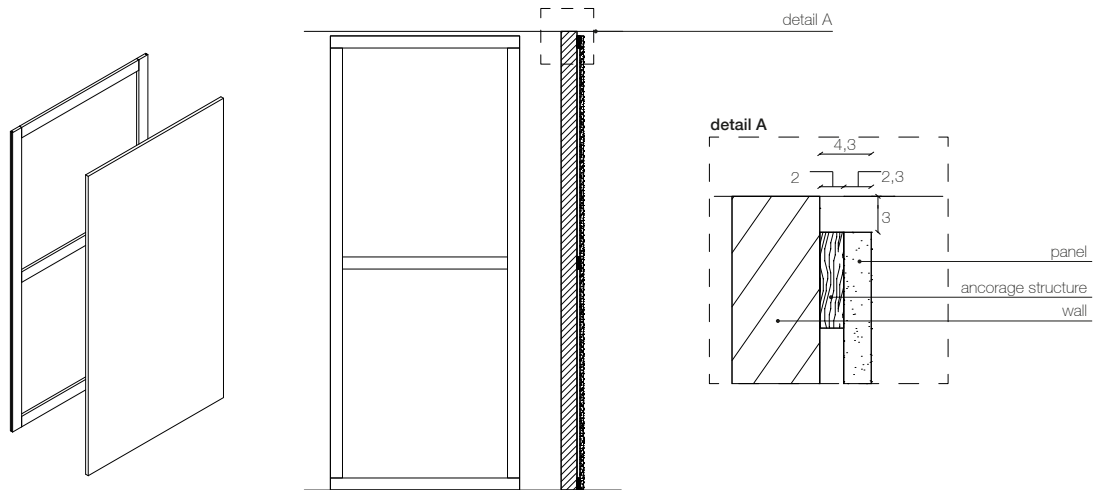
wall panel - pannello boiserie -
wandpaneel - panneau boiserie - Стеновая панель



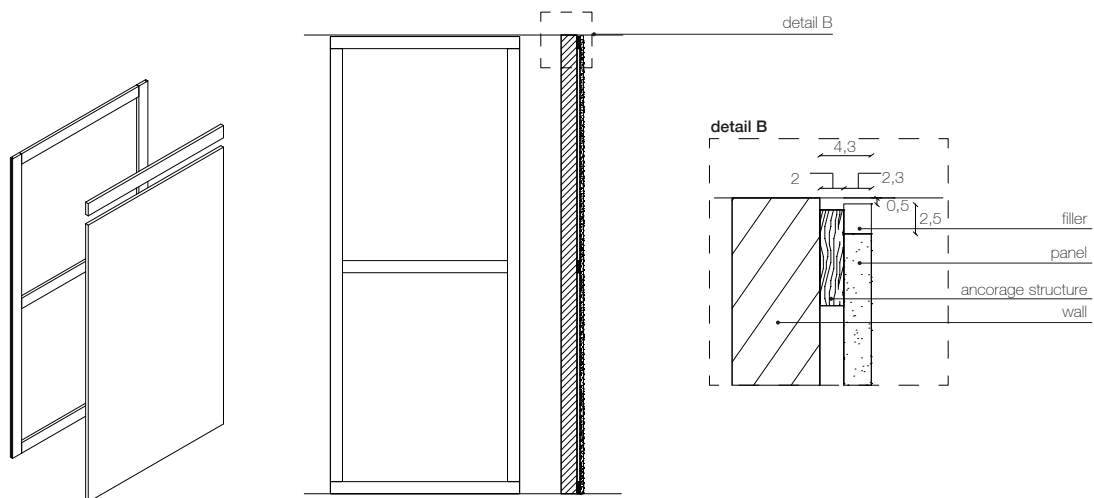
-Dimensions in centimeters and inches.
The right to discontinue and make changes is reserved.
This information is based on the latest product information available at the time of printing.

_dimensions limits

wall panel - pannello boiserie -
wandpaneel - panneau boiserie - Стеновая панель



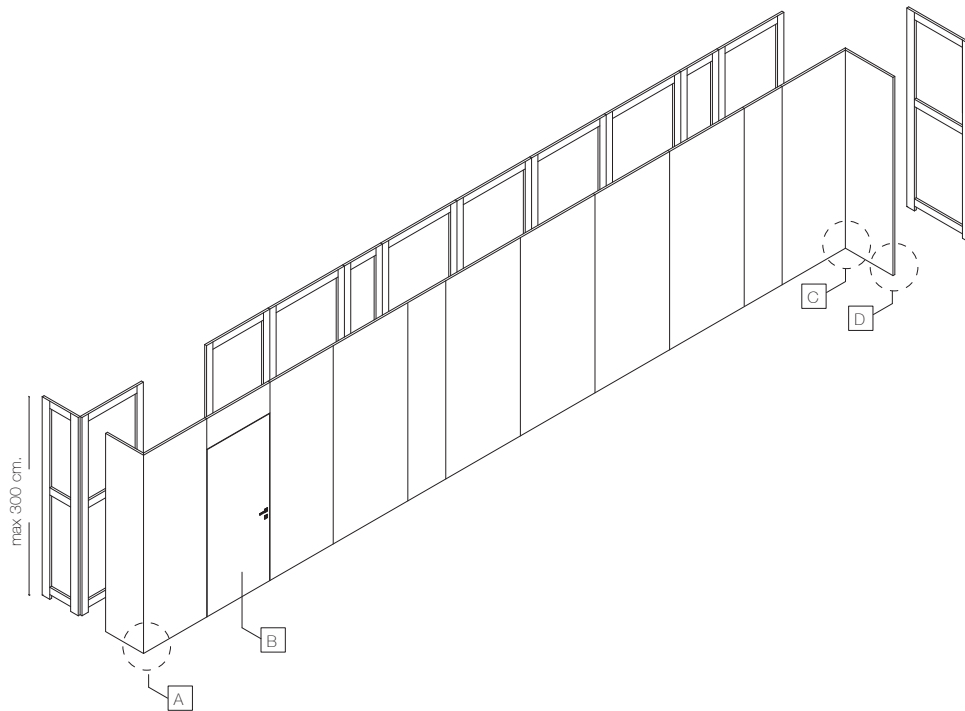
wall panel with closing band - pannello boiserie con fascia di chiusura -
wandpaneel mit schlussband - panneau boiserie avec bande de fermeture
Стеновая панель с закрывающей лентой



-Dimensions in centimeters and inches.
The right to discontinue and make changes is reserved.
This information is based on the latest product information available at the time of printing.

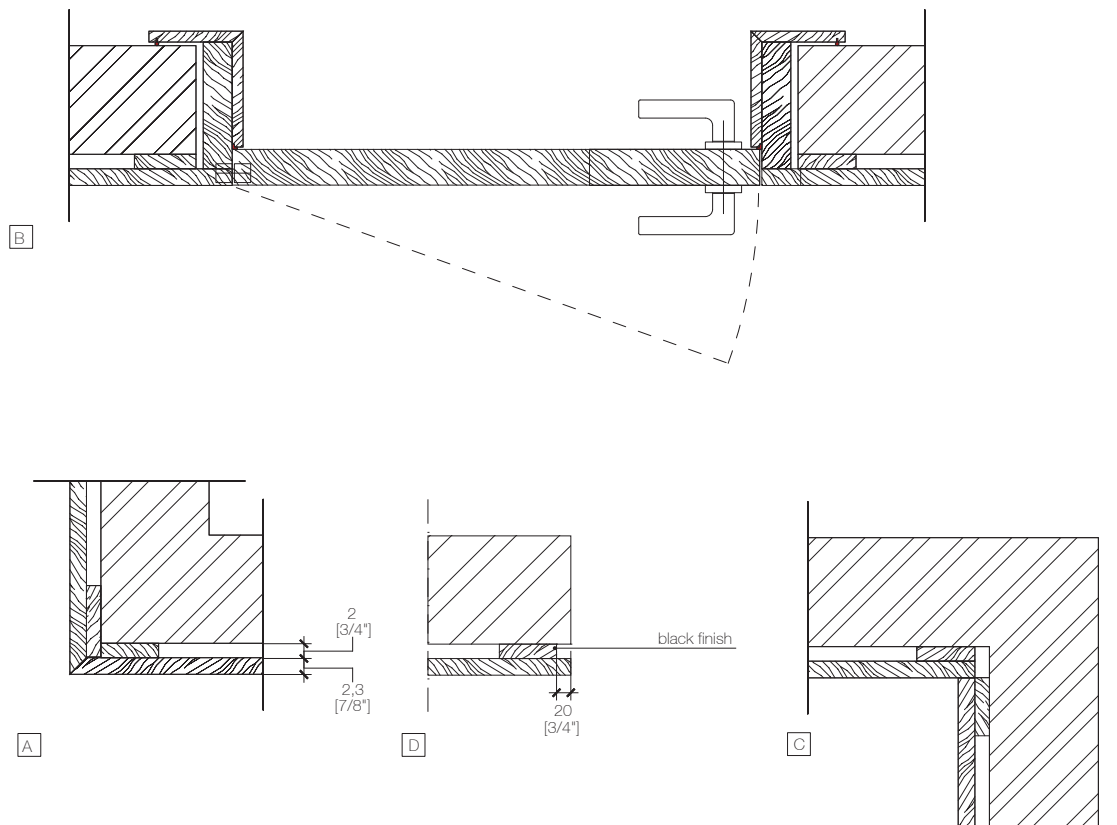
_dimensions

wall panel system with hinged doors - sistema boiserie con porte battenti
wandpaneel system mit flügeltüren - système boiserie avec portes
battantes - система стеновых панелей с распашными дверями



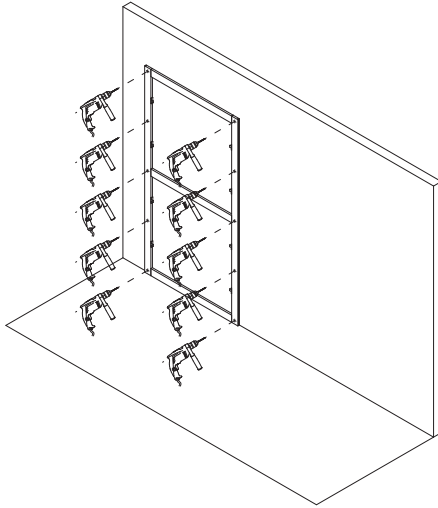
-Dimensions in centimeters and inches.
The right to discontinue and make changes is reserved.
This information is based on the latest product information available at the time of printing.

_dimensions

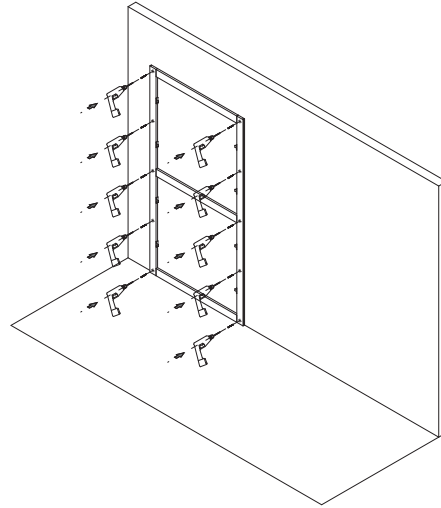


-Dimensions in centimeters and inches.
The right to discontinue and make changes is reserved.
This information is based on the latest product information available at the time of printing.

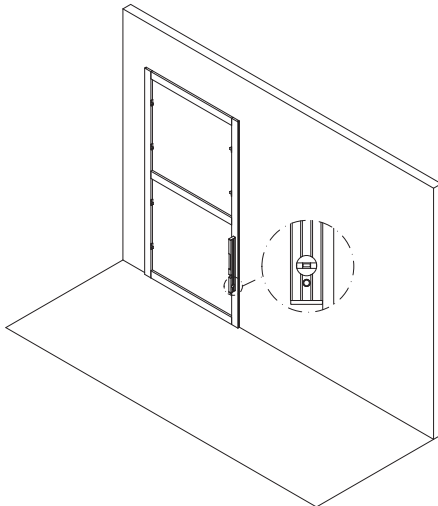
_dimensions



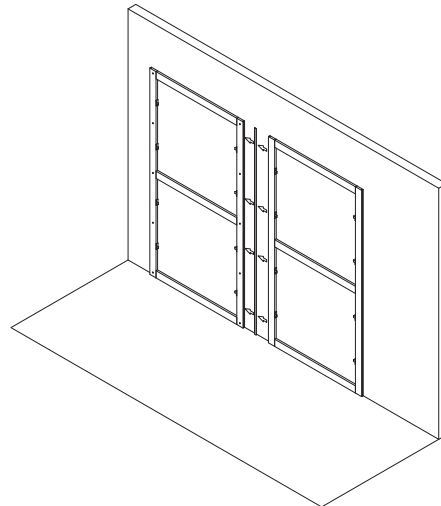
1 Drill the frame and the wall. Insert in the wall the plugs suitable for the existent wall.



2 Screw the frame to the wall.



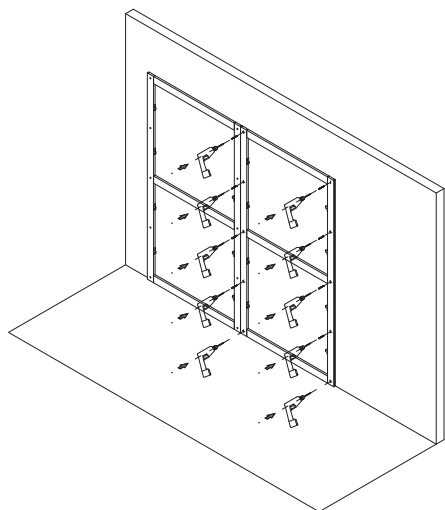
3 Check the vertical alignment.



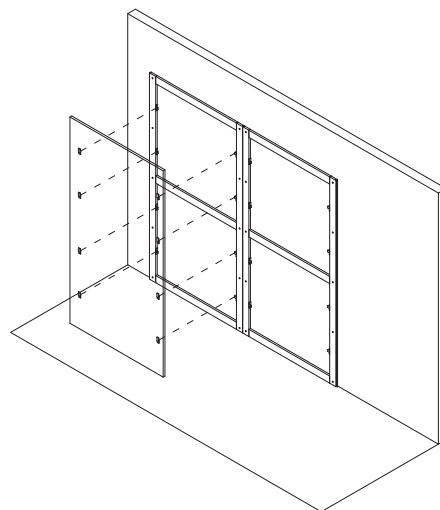
4 Place the alignment band into the proper milling on the frame. Place the second frame mortising it, through the proper milling, with the first one, already fixed to the wall.

-Dimensions in centimeters and inches.
The right to discontinue and make changes is reserved.
This information is based on the latest product information available at the time of printing.

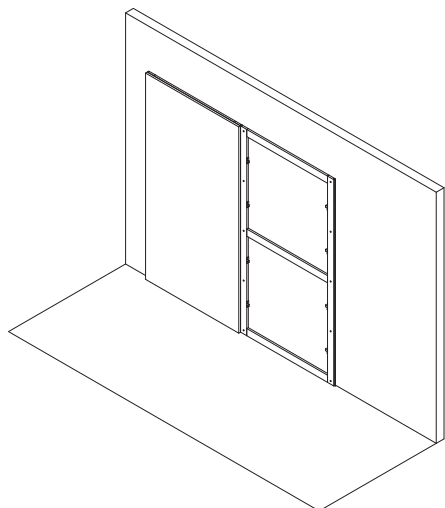
_dimensions



5 Repeat the operations nr. 1 - 2 - 3 - 4 for all the frames to be installed.



6 Hook the wall panel through the pre-mounted frame supports and the respective ones pre-installed on the panel.



7 Proceed with the next panels.

-Dimensions in centimeters and inches.
The right to discontinue and make changes is reserved.
This information is based on the latest product information available at the time of printing.

_materials & finishes

juta



Juta Bronze



Juta Tin

_The finishes shown are indicative and refer to the entire production range.
Laurameroni reserves the right to modify the range without warning.

_maintenance

_SPECIAL FINISHES

Do not use acid or alkali-based cleaners. Do not use scouring agents, steel wool, pot cleaners or similar. Do not use solvents to clean painted surfaces. Pointed or sharp objects, such as blades or knives, can damage (scratch) the surface. Anything hot or damp will cause damage to the surface. Clean painted surfaces with a clean, soft, lint-free cloth to avoid abrasion with particles of dirt. For soft-finish paint surfaces, use a soft, lint-free, slightly damp cloth. If heavily soiled, paint surfaces can be cleaned more easily with a neutral (silicone-free) cleaning agent. Do not use furniture polish or other care products to clean soft-finish paint surfaces. It is then essential to rub the surface dry, so that there is no residual moisture. Clean painted surfaces regularly with a soft, lint-free cloth to remove dust.

Non utilizzare detergenti acidi o alcali. Non usare agenti abrasivi, lana d'acciaio, detergenti per pentole o simili. Non usare solventi per pulire le superfici verniciate. Oggetti appuntiti o taglienti, come lame o coltelli, possono danneggiare (graffiare) la superficie. Qualsiasi cosa calda o umida causerà danni alla superficie. Pulire le superfici verniciate con un panno pulito, morbido e privo di lanugine per evitare l'abrasione con particelle di sporco. Per superfici di vernice con finitura morbida, utilizzare un panno morbido, privo di lanugine e leggermente umido. Se molto sporchi, le superfici verniciate possono essere pulite più facilmente con un detergente neutro (privo di silicone). Non utilizzare lucidi per mobili o altri prodotti per la cura per pulire le superfici di vernice. È quindi essenziale strofinare delicatamente la superficie asciutta, in modo che non vi sia umidità residua. Pulire regolarmente le superfici verniciate con un panno morbido e privo di lanugine per rimuovere la polvere.

**BEDIF
FEREN
TBEUN
IQUE.**

LAURAMERONI s.r.l.
22040 Alzate Brianza (Como)
Via Manzoni, 2784
T +39 031 761450
info@laurameroni.com
www.laurameroni.com