

## Plain sliding door - Plain collection

LAURAMERONI project



— Wooden sliding door available in all woods of the collection.

Wooden handle hollowed out in the door thickness and aluminium rail covered in the same finish as the door.

BD 16 SL is also available with the middle panel in glass; lacquered brushed matt or bright (BD 16 SA), or covered with fabric (BD 16 SD).

It is also available in the single leaf or double leaf versions.



— Porta scorrevole in legno disponibile in tutte le essenze della collezione, con scolpitura Maxima su entrambi i lati.

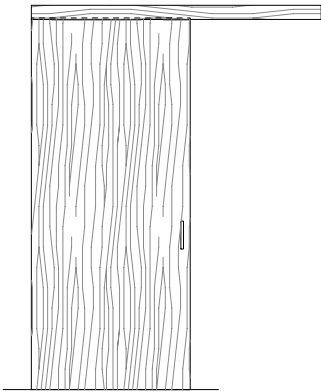
Maniglia in legno scavata nello spessore della porta e binario in alluminio nella stessa finitura della porta.

BD 16 SL è disponibile anche con il pannello centrale in vetro, oppure interamente laccata opaca o lucida (BD 16 SA) o rivestita in tessuto (BD 16 SD).

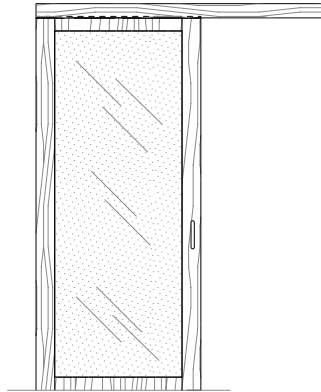
La porta è inoltre disponibile nella versione porta singola o porta doppia.

\_range

plain wood door - porta in legno - porte en bois - Holztür - деревянная дверь

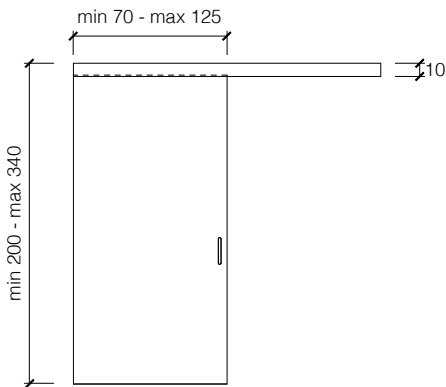


**BD 16 SL** sliding door - porta scorrevole  
porte battante - Flügeltür - распашная дверь

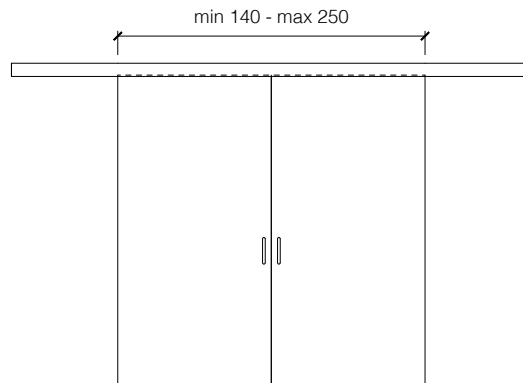


**BD 16 SV** sliding door with glass panel  
porta scorrevole con pannello in vetro  
porte coulissante avec panneau en verre - Schiebetür mit Glasscheibe  
распашная дверь со стеклянной панелью

\_dimensional limits



single sliding door



symmetrical double sliding door

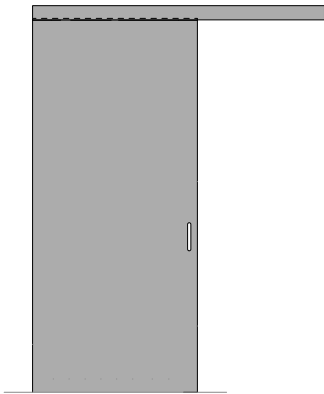
**Dimensions in millimeters.**

The right to discontinue and make changes is reserved.

This information is based on the latest product information available at the time of printing.

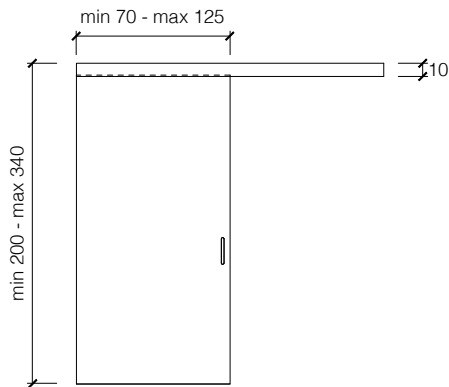
\_range

lacquered door - porta laccata - porte laquée - lackierte Tür - лакированная дверь

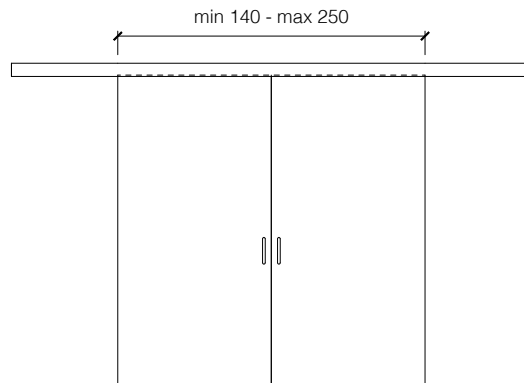


**BD 16 SA** sliding door - porta scorrevole  
porte battante - Flügeltür - распашная дверь

\_dimensional limits



single sliding door



symmetrical double sliding door

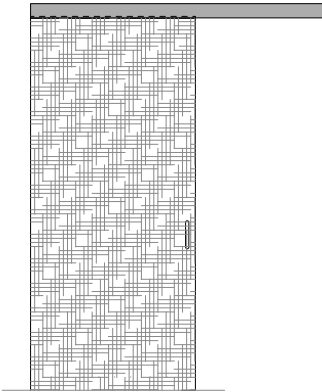
\_Dimensions in millimeters.

The right to discontinue and make changes is reserved.

This information is based on the latest product information available at the time of printing.

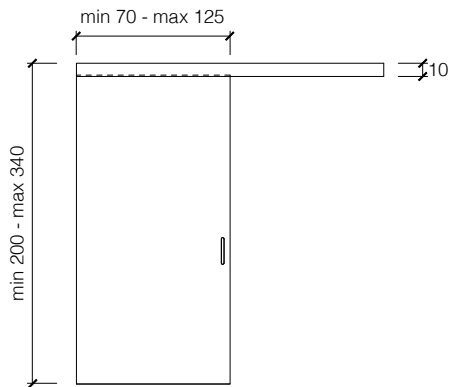
\_range

door covered with fabric - porta rivestita in tessuto - porte recouverte de tissu - Tür mit Stoff - дверь обтянута тканью

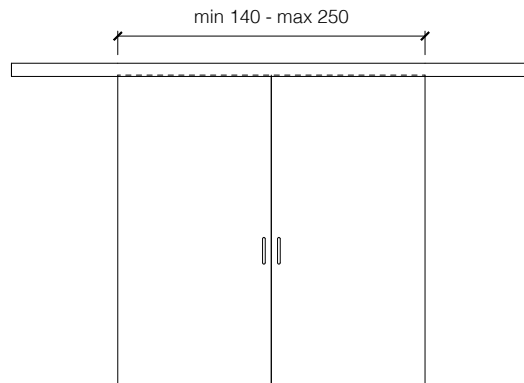


**BD 16 SD** sliding door - porta scorrevole  
porte battante - Flügeltür - распашная дверь

\_dimensional limits



single sliding door



symmetrical double sliding door

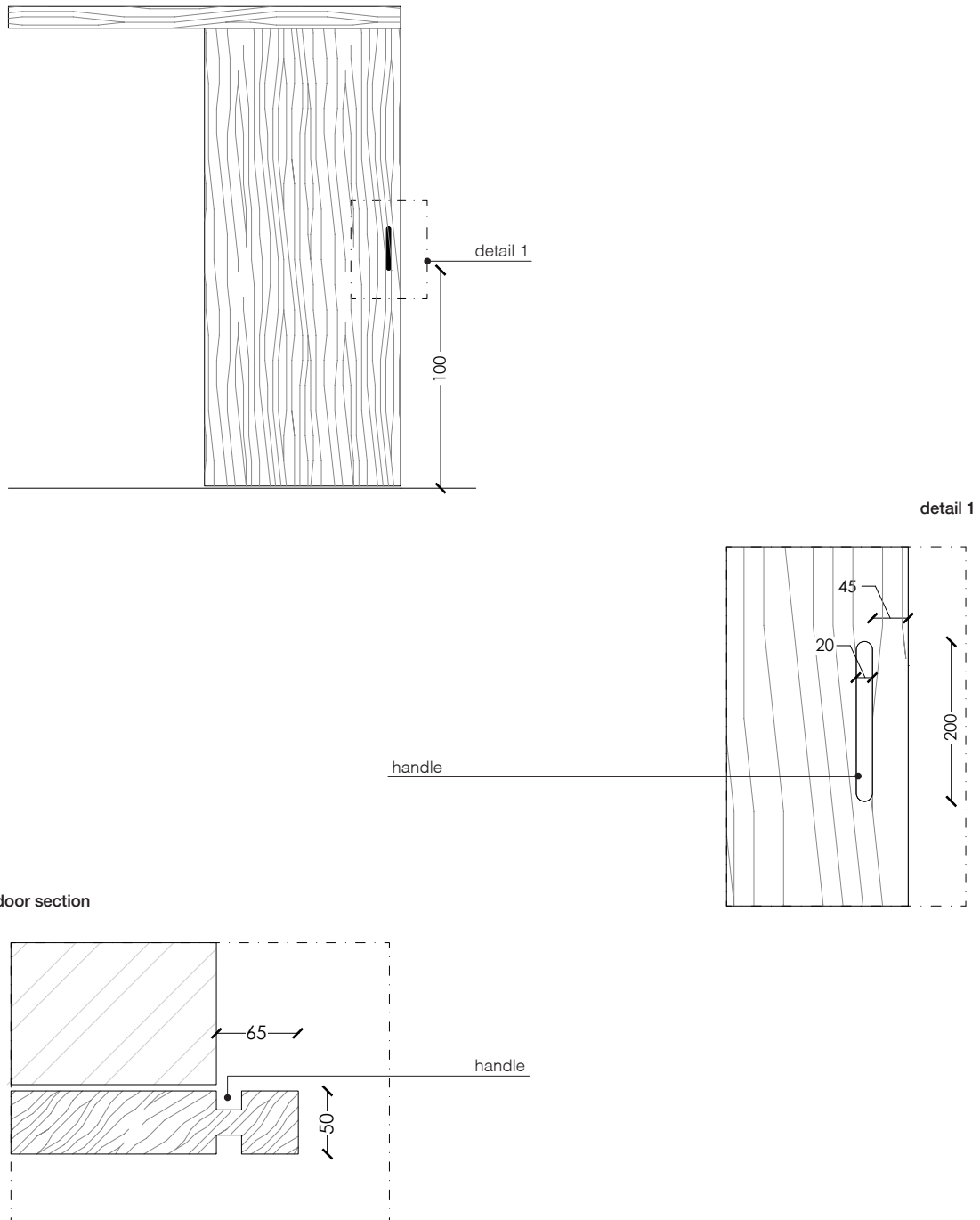
\_Dimensions in millimeters.

The right to discontinue and make changes is reserved.

This information is based on the latest product information available at the time of printing.

\_details

handle hollowed out in the door thickness



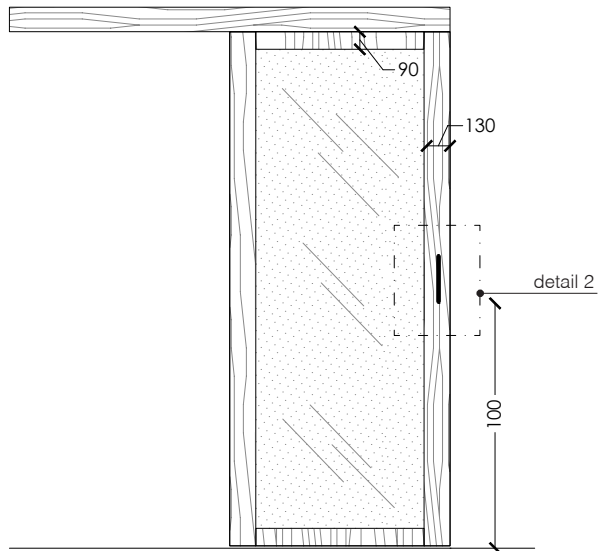
\_Dimensions in millimeters.

The right to discontinue and make changes is reserved.

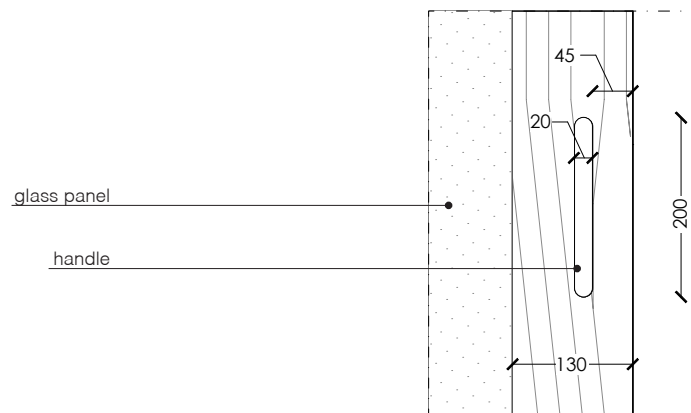
This information is based on the latest product information available at the time of printing.

\_details

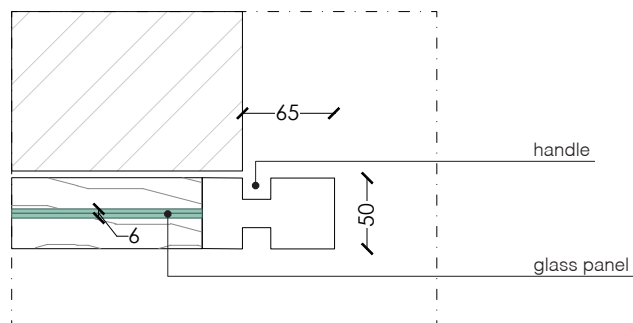
handle hollowed out in the door thickness with glass middle panel



detail 2



door section



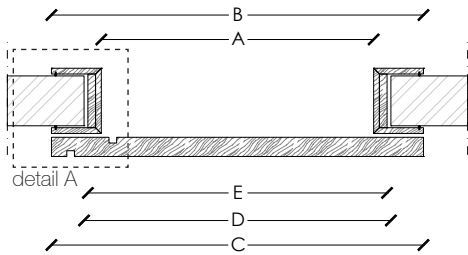
\_Dimensions in millimeters.

The right to discontinue and make changes is reserved.

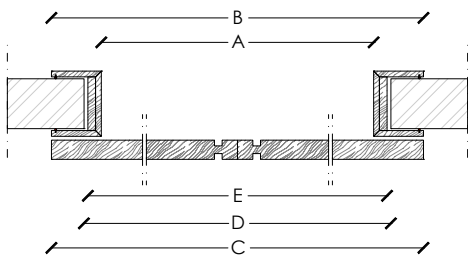
This information is based on the latest product information available at the time of printing.

## \_dimensions

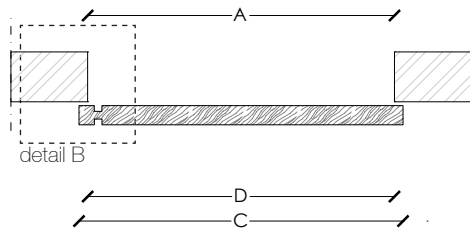
single sliding door with doorframe  
door aligned with the covers



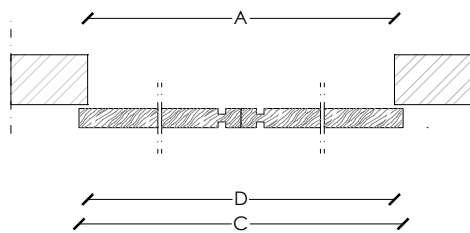
double sliding door with doorframe  
door aligned with the covers



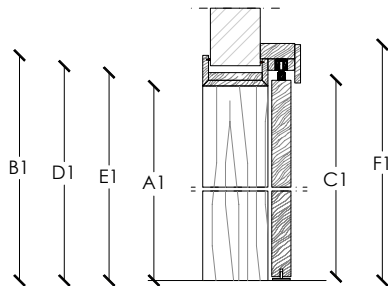
single sliding door without doorframe



double sliding door without doorframe



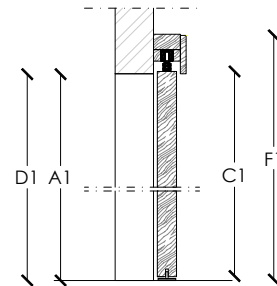
vertical section



legend

A = opening width	D - 90 mm
B = covering dimensions	D + 260 mm
C = door	D + 260 mm
D = door way	
E = doorframe dimensions	D - 20 mm
A1 = opening width	D1 - 53 mm
B1 = covering dimensions	D1 + 27 mm
C1 = door	D1 - 48 mm
D1 = door way	
E1 = doorframe dimensions	D1 - 18 mm
F1 = dimensions with cover	D1 + 55 mm

vertical section



legend

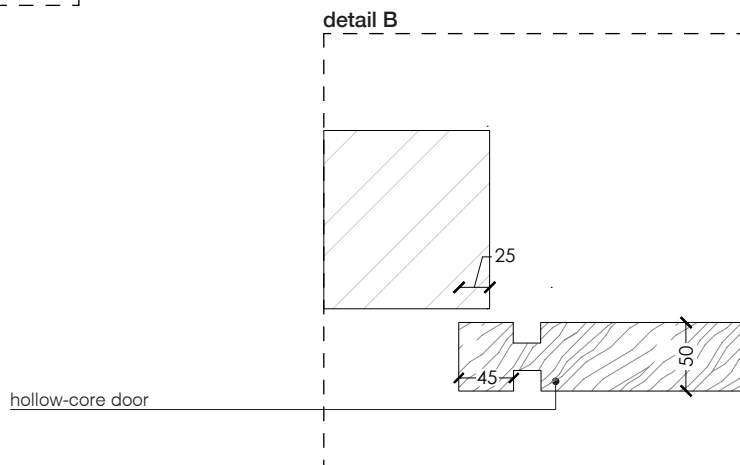
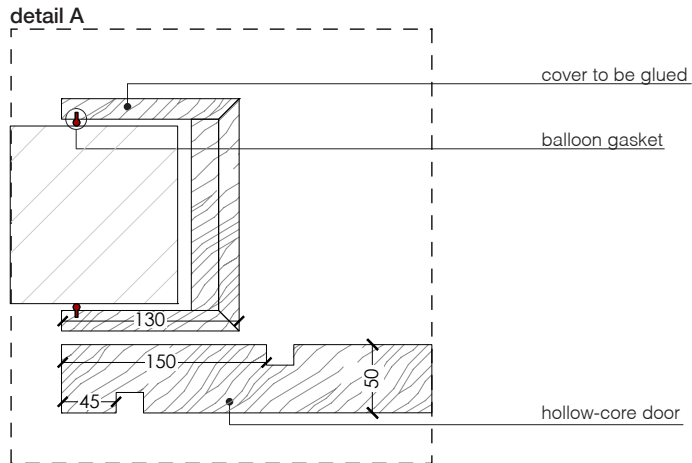
A = opening width	D
C = door	D + 50 mm
D = door way	
A1 = opening width	D1
C1 = door	D1 - 4 mm
D1 = door way	
F1 = dimensions with cover	D1 + 100 mm

Dimensions in millimeters.

The right to discontinue and make changes is reserved.

This information is based on the latest product information available at the time of printing.

\_details



Dimensions in millimeters.

The right to discontinue and make changes is reserved.

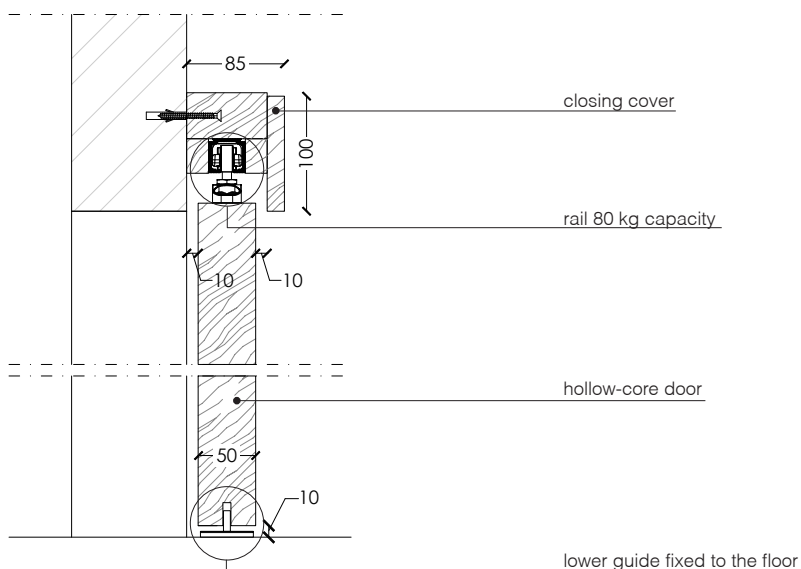
This information is based on the latest product information available at the time of printing.



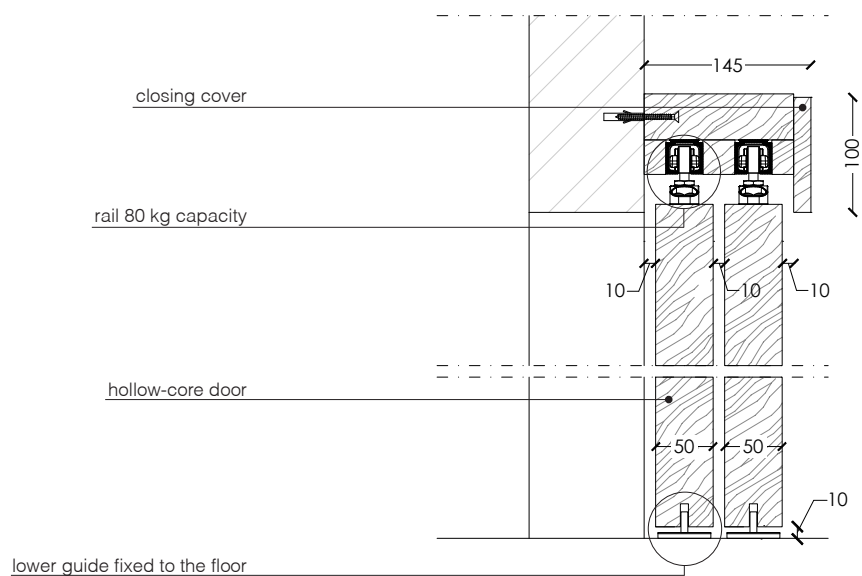
\_dimensions

wall installation

door section with one way rail



door section with two-way rail



Dimensions in millimeters.

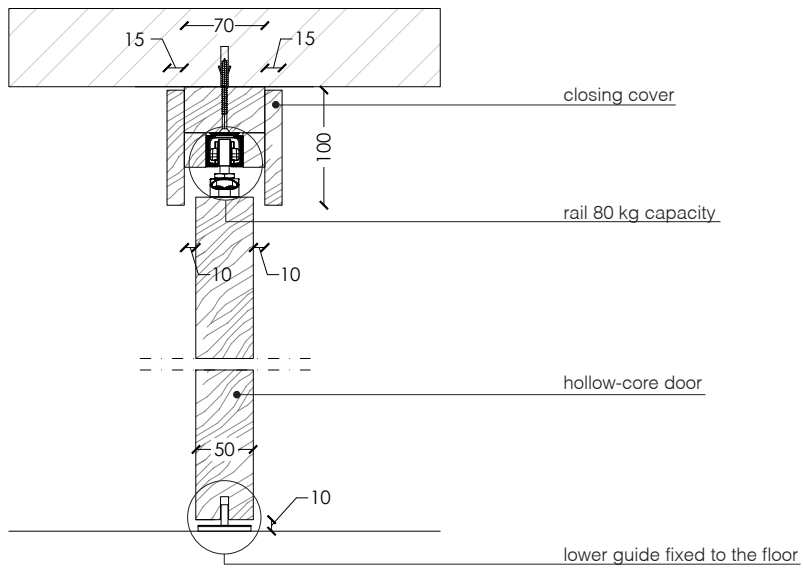
The right to discontinue and make changes is reserved.

This information is based on the latest product information available at the time of printing.

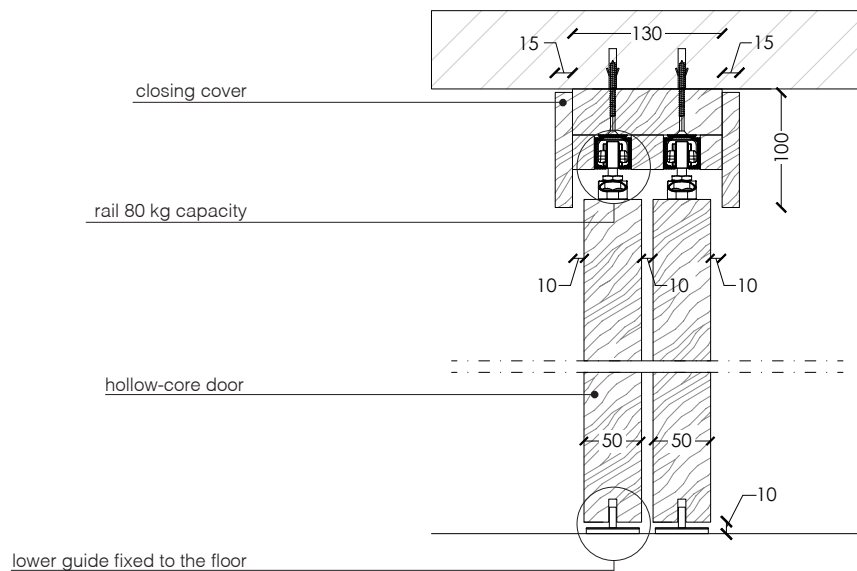
\_dimensions

ceiling installation

door section with one way rail



door section with two-way rail



\_Dimensions in millimeters.

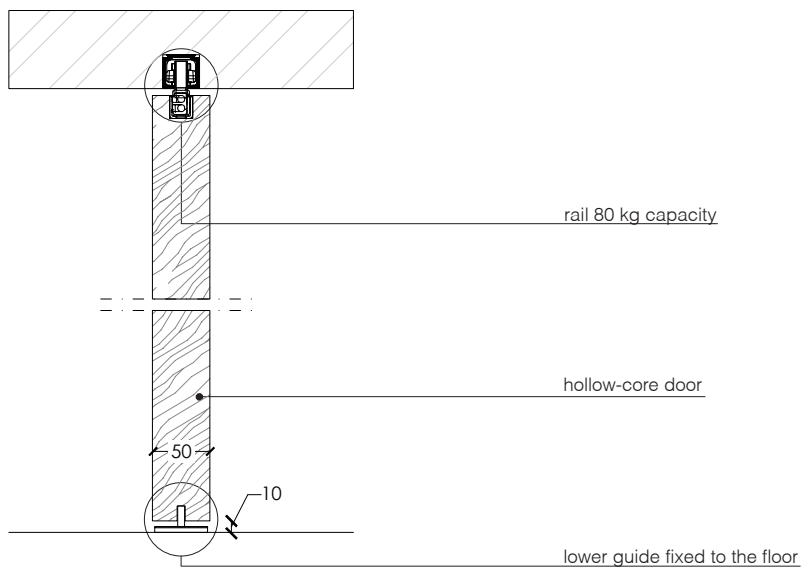
The right to discontinue and make changes is reserved.

This information is based on the latest product information available at the time of printing.

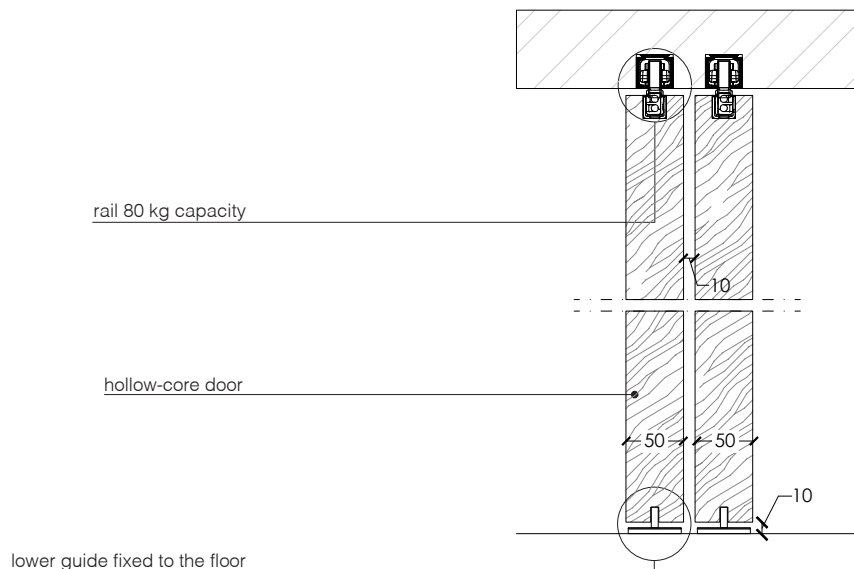
\_dimensions

ceiling built-in installation

**door section with one way rail**



**door section with two-way rail**



\_Dimensions in millimeters.

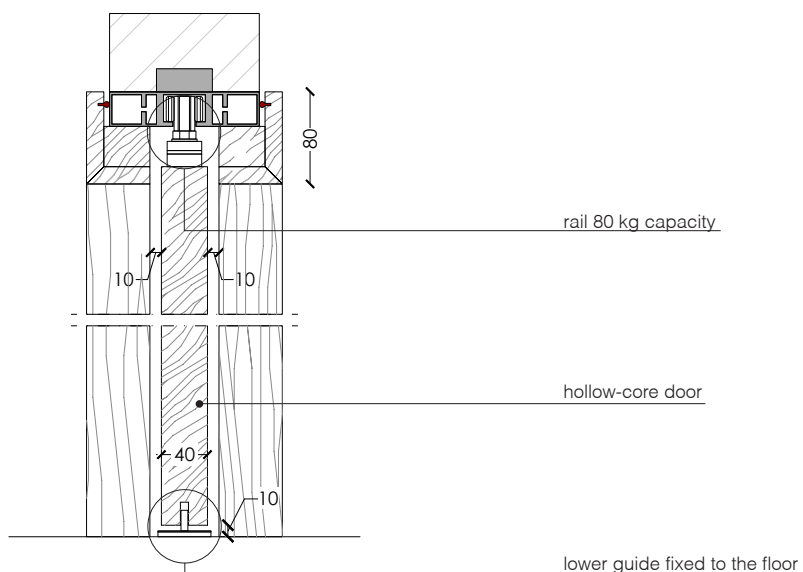
The right to discontinue and make changes is reserved.

This information is based on the latest product information available at the time of printing.

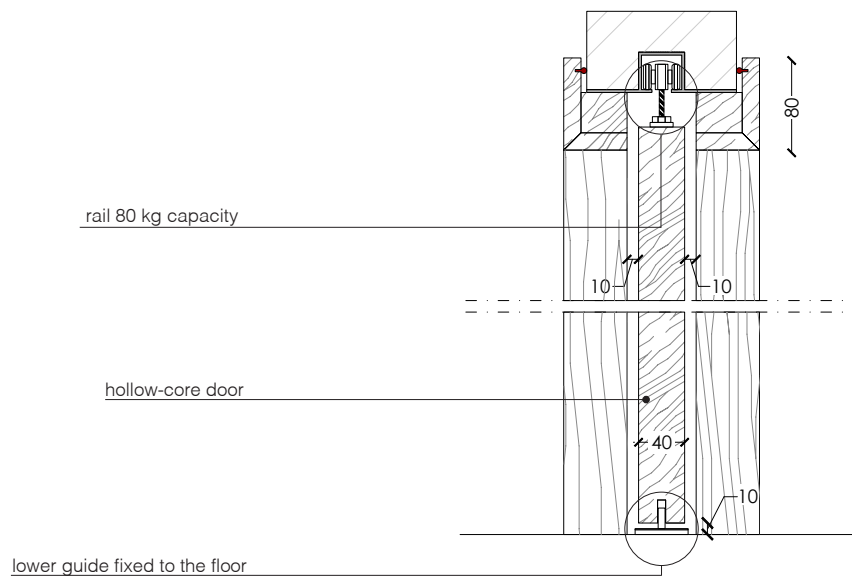
\_dimensions

ceiling built-in installation with doorframe

door section for doorframe "Scigno" mod. "Base"



door section for doorframe "Eclisse" mod. "Unico"



Dimensions in millimeters.

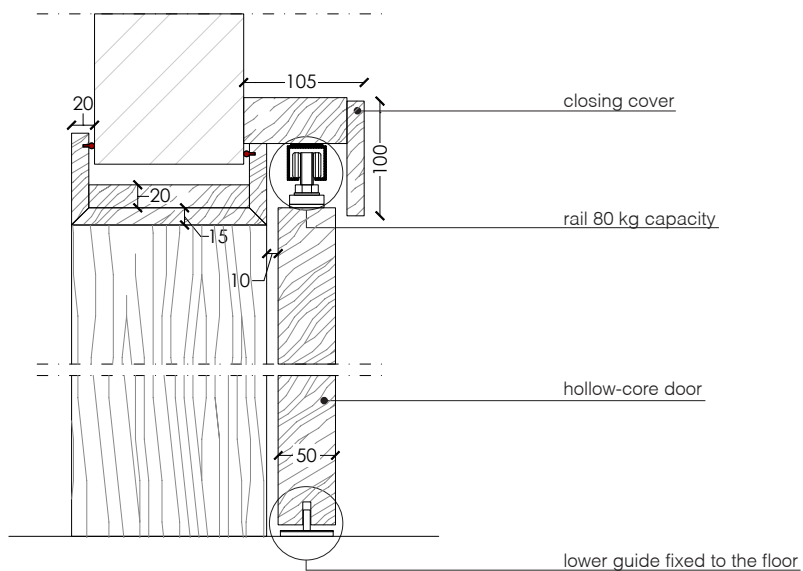
The right to discontinue and make changes is reserved.

This information is based on the latest product information available at the time of printing.

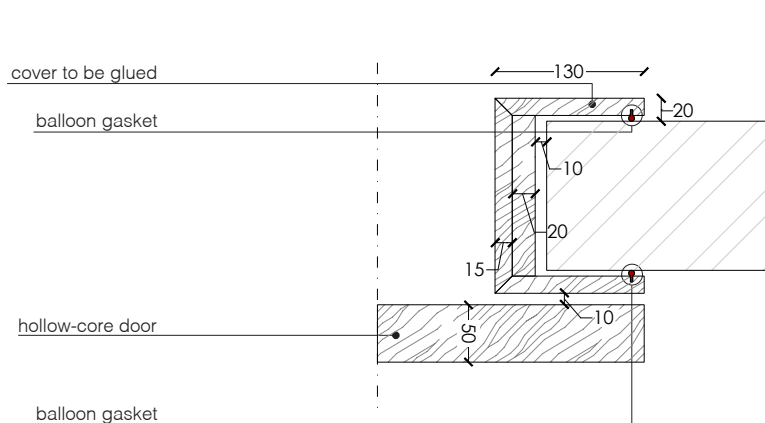
\_dimensions

wall installation with doorframe

**door section with one way rail**



**door section with two-way rail**



\_Dimensions in millimeters.

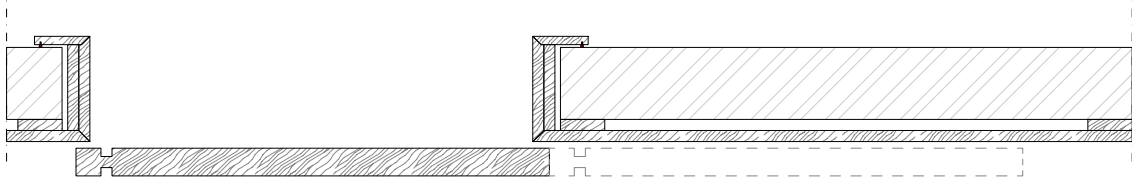
The right to discontinue and make changes is reserved.

This information is based on the latest product information available at the time of printing.

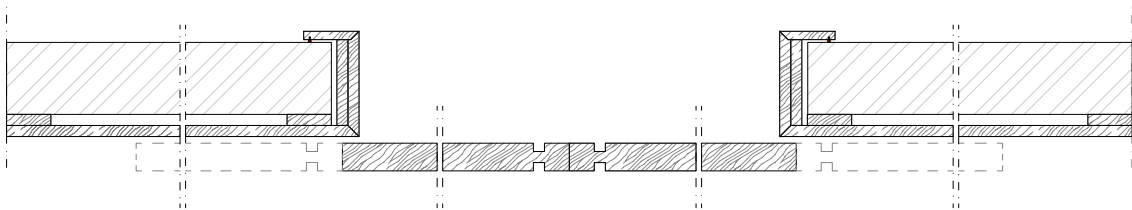
\_special case

sliding door with wall panels and doorframe

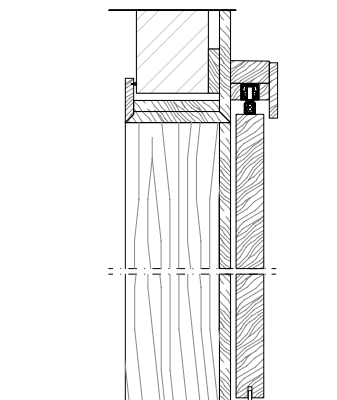
single sliding door



double sliding door



vertical section



Dimensions in millimeters.

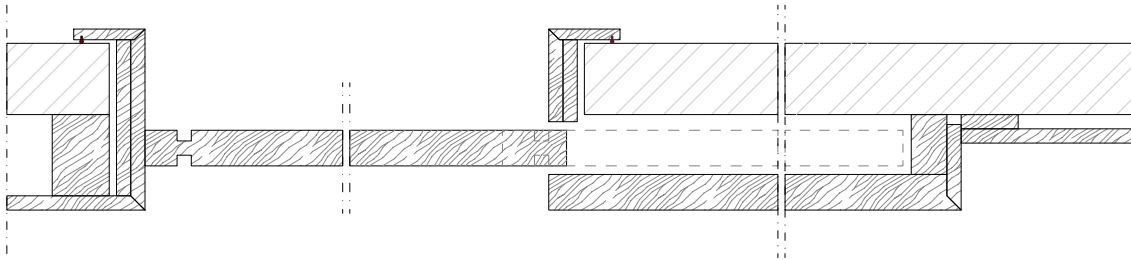
The right to discontinue and make changes is reserved.

This information is based on the latest product information available at the time of printing.

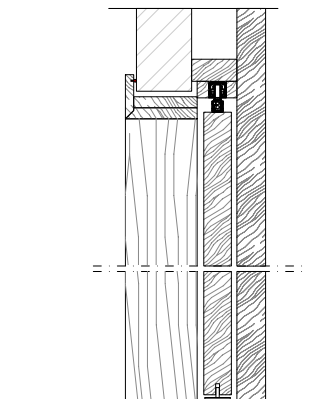
special case

"pocket" sliding door with wall panels and doorframe

single sliding door



vertical section



Dimensions in millimeters.

The right to discontinue and make changes is reserved.

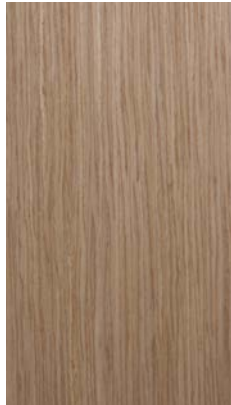
This information is based on the latest product information available at the time of printing.

\_materials & finishes

plain woods



Maple



Oak



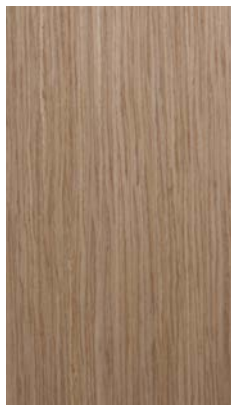
Teak



Zebrano



Canaletto Walnut



Dyed Canaletto Walnut



Ebony



Termocotto Oak



Rosewood



Wengè



Aniline dyed



Available in all  
RAL / NCS colors

\_The finishes shown are indicative and refer to the entire production range.  
Laurameroni reserves the right to modify the range without warning.



\_materials & finishes

brushed matt laquered



Brushed matt laquered



Available in all  
RAL / NCS colors

\_The finishes shown are indicative and refer to the entire production range.  
Laurameroni reserves the right to modify the range without warning.

\_handles



Recessed satin steel handle



Recessed satin steel handle with lock

\_maintenance

**\_ WOOD**

Wood is a high-quality natural product. To maintain the natural character of wood and to protect surfaces from mechanical and chemical wear, veneered surfaces are coated with a high quality transparent paint. For cleaning and care, do not use acids or alkali-based cleaners, agents with bleaching additive, scouring powder, steel wool, pot scourers or similar. Anything hot or damp will cause damage to the surface. Remove soiling and liquids immediately. Use a dry soft cloth for cleaning, eventually add a little neutral cleaning agent to the water. The cloth must be only slightly damp, to prevent discolouration or swelling of the surface. It is then essential to rub the surfaces dry, so that there is no residual moisture.

Il legno è un prodotto naturale di alta qualità. Per mantenere il carattere naturale del legno e proteggere le superfici dall'usura meccanica e chimica, le superfici impiallacciate sono rivestite con una vernice trasparente di alta qualità. Per la pulizia e la cura, non usare detergenti acidi o alcalini, agenti con additivi sbiancanti, polveri abrasive, lana d'acciaio, spugne o simili. Qualsiasi cosa calda o umida causerà danni alla superficie. Rimuovere immediatamente sporco e liquidi. Utilizzare un panno morbido e asciutto per la pulizia, eventualmente aggiungere un po' di detergente neutro nell'acqua. Il panno deve essere solo leggermente umido, per evitare scolorimenti o rigonfiamenti della superficie. È quindi essenziale strofinare gentilmente le superfici asciutte, in modo che non ci sia umidità residua.

**BEDIF  
FEREN  
TBEUN  
IQUE.**

LAURAMERONI s.r.l.  
22040 Alzate Brianza (Como)  
Via Manzoni, 2784  
T +39 031 761450  
info@laurameroni.com  
www.laurameroni.com