

## Imperfetto Console - Imperfetto Collection

design Romani Saccani Architetti Associati



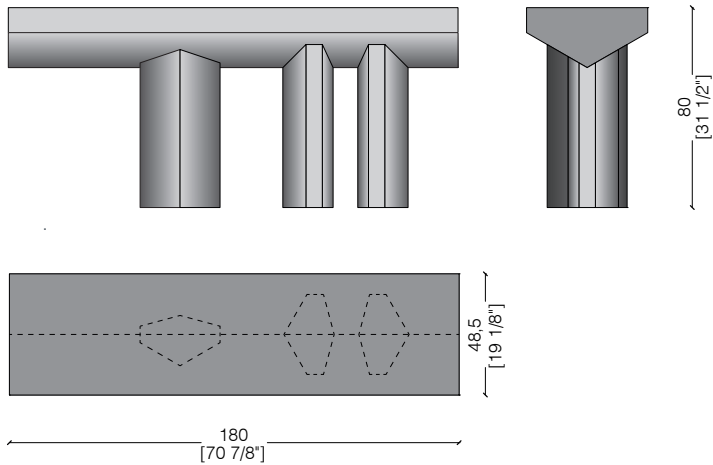
Wooden console featuring important and at the same time essential shapes. Available in all the woods in the collection, in matt or glossy lacquered wood and with a Liquid Metal finish.

Consolle in legno caratterizzata da forme importanti ed allo stesso tempo essenziali. Disponibile in tutti i legni della collezione, in legno laccato opaco o lucido e con finitura Metallo Liquido.



\_dimensions

**RS 10** console - consolle -  
konsole - console - Консоль



\_Available in special dimensions.

\_Dimensions in millimeters and inches.

The right to discontinue and make changes is reserved.

This information is based on the latest product information available at the time of printing.

\_ materials & finishes

special woods



"Faggio Antico"



Rosewood "India"



Rosewood "Santos"



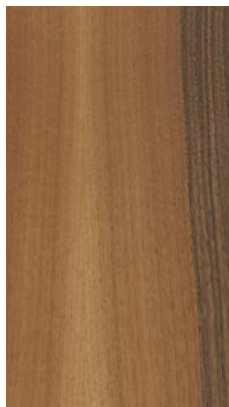
Stone Oak "Carbone"



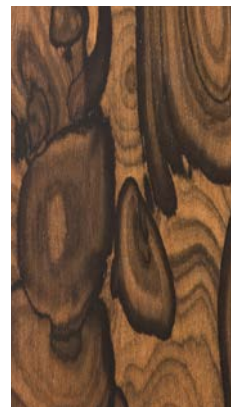
Stone Oak "Tabacco"



Syberian Ashwood



Noce Colore



Ziricote

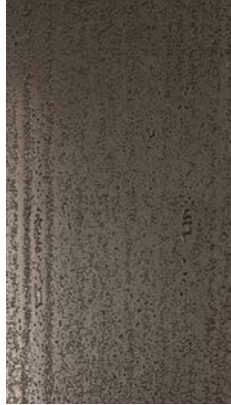
\_ The finishes shown are indicative and refer to the entire production range.  
Laurameroni reserves the right to modify the range without warning.

\_materials & finishes

liquid metals



Raptor Bronze



Raptor Tin

\_The finishes shown are indicative and refer to the entire production range.  
Laurameroni reserves the right to modify the range without warning.

\_ materials & finishes

RAL lacquering



Brushed Matt Laquered



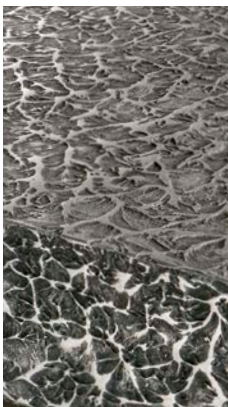
Shaded Glossy Lacquering



Available in all RAL colours

\_ materials & finishes

Efesto



\_ The finishes shown are indicative and refer to the entire production range.  
Laurameroni reserves the right to modify the range without warning.

\_maintenance

**PAINTS, LACQUERINGS AND  
SPECIAL FINISHES**

Do not use acid or alkaline detergents, agents with bleaching additives, abrasive powders, steel wool, sponges or the like. Do not use furniture polish or solvents to care for painted surfaces. Anything hot or humid can cause surface damage. Pointed or sharp objects, such as blades or knives, can cause damage to the surface. For the cleaning and care, regularly wipe the surfaces with a clean, soft, lint-free cloth to remove dust while avoiding abrasion. For soft-finish painted surfaces, use a soft, lint-free, slightly damp cloth. If heavily soiled, painted surfaces can be cleaned with a neutral, silicone-free detergent. Finally, it is essential to gently rub dry surfaces, so that there is no residual moisture.

**TINTE, LACCATURE E FINITURE  
SPECIALI**

Non usare detergenti acidi o alcalini, agenti con additivi sbiancanti, polveri abrasive, lana d'acciaio, spugne o simili. Non utilizzare lucidi per mobili o solventi per la cura delle superfici verniciate. Qualsiasi cosa calda o umida può causare danni alla superficie. Oggetti appuntiti o taglienti, come lame o coltelli, possono causare danni alla superficie.

Per la pulizia e la cura, pulire regolarmente le superfici con un panno pulito, morbido e privo di lanugine per rimuovere la polvere evitando l'abrasione. Per le superfici verniciate con finitura morbida, utilizzare un panno soffice, privo di lanugine e leggermente umido. Se molto sporche, le superfici verniciate possono essere pulite con un detergente neutro privo di silicone. È infine essenziale strofinare gentilmente le superfici asciutte, in modo che non sussista umidità residua.

**BEDIF  
FEREN  
TBEUN  
IQUE.**

LAURAMERONI s.r.l.  
22040 Alzate Brianza (Como)  
Via Manzoni, 2784  
T +39 031 761450  
info@laurameroni.com  
www.laurameroni.com