

Line sliding door - Line collection

design Cesare Arosio



Wood veneered sliding door with vertical and horizontal satin or burnished brass channels, available in different dimensions and in combination with Line Wall Panels to create a unique system.

The combination of these two elements creates a continuous wall, where the succession of vertical bands incorporates the door space, making it a unique system. Line doors, in combination with wall panels, are designed for luxury environments to create a sophisticated atmosphere thanks to a unique design and the use of precious materials.



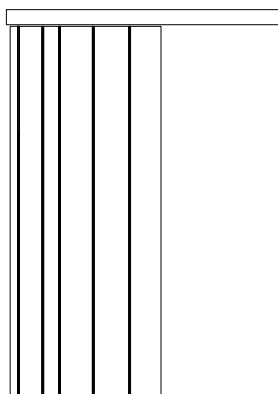
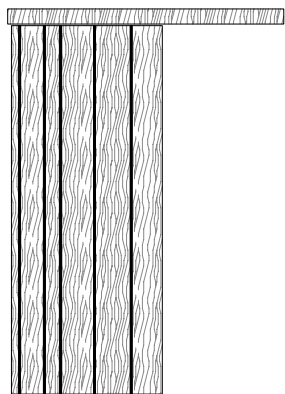
Porta scorrevole impiallacciata in legno con canali orizzontali o verticali in ottone satinato o brunito, disponibile in diverse dimensioni e in combinazione con la boiserie Line per creare un sistema integrato.

La combinazione di questi due elementi crea una parete continua, in cui la successione di linee verticali incorpora la porta, trasformandolo in un sistema unico. Le porte Line, in combinazione con i pannelli boiserie, sono disegnate per ambienti di lusso dove prevale un'atmosfera sofisticata grazie al design unico e all'uso di materiali pregiati.

_range

line wood veneered door

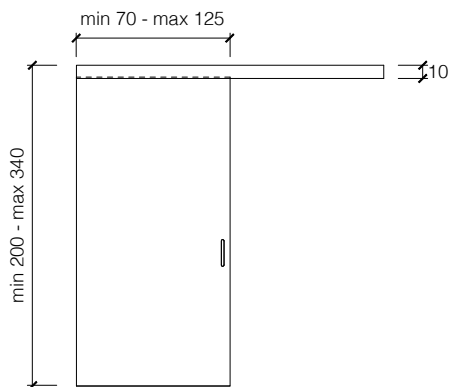
line lacquered wood door



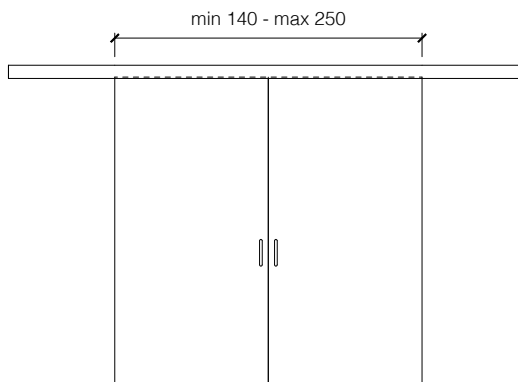
CA 32 SL sliding door - porta scorrevole
porte battante - Flügeltür - распашная дверь

CA 32 SA sliding door - porta scorrevole
porte battante - Flügeltür - распашная дверь

_dimensional limits



single sliding door



symmetrical double sliding door

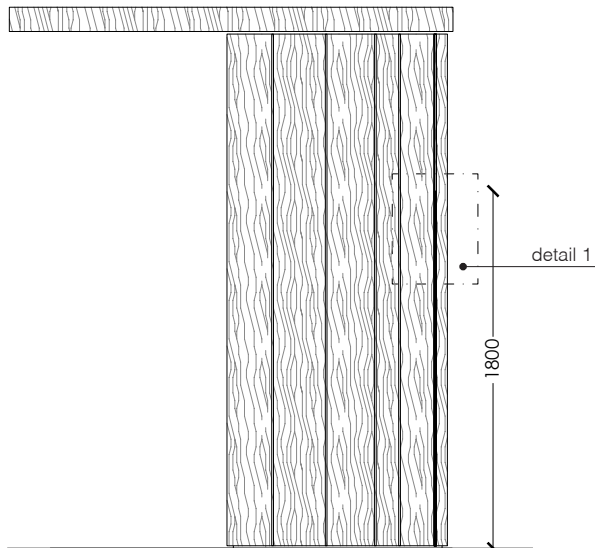
Dimensions in millimeters.

The right to discontinue and make changes is reserved.

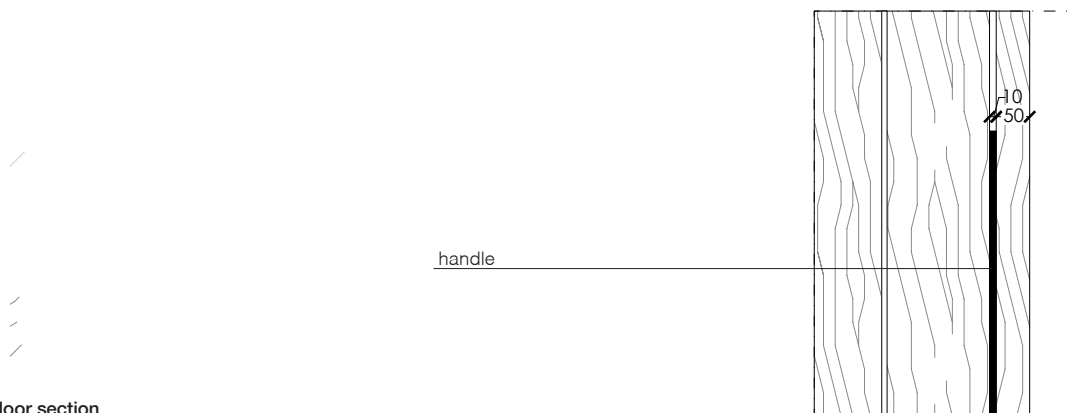
This information is based on the latest product information available at the time of printing.

_details

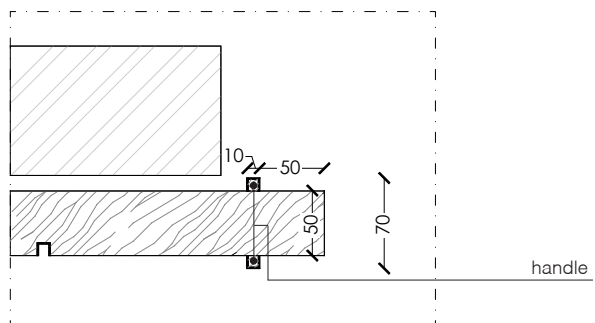
handle hollowed out in the door thickness



detail 1



door section



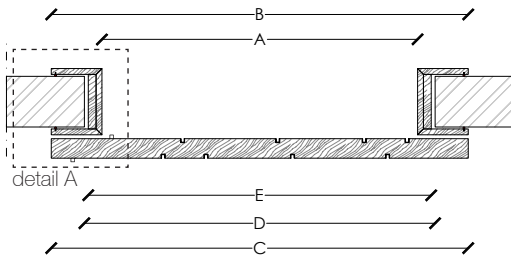
_Dimensions in millimeters.

The right to discontinue and make changes is reserved.

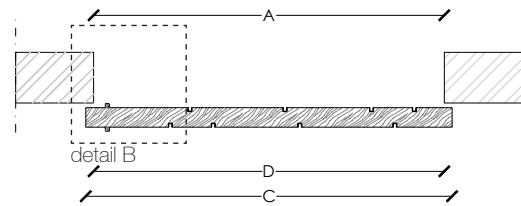
This information is based on the latest product information available at the time of printing.

_dimensions

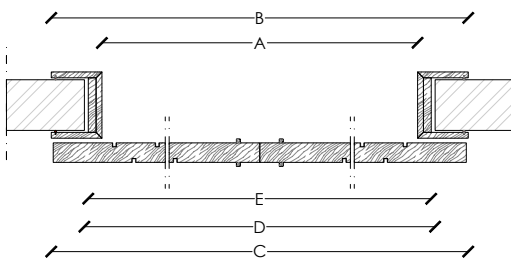
single sliding door with doorframe
door aligned with the covers



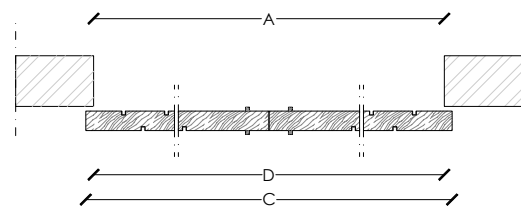
single sliding door without doorframe



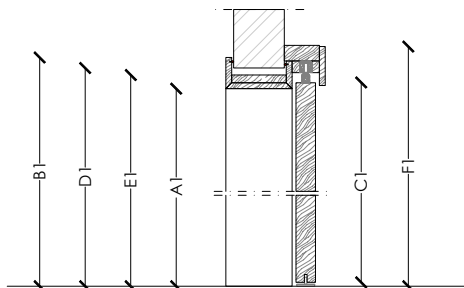
double sliding door with doorframe
door aligned with the covers



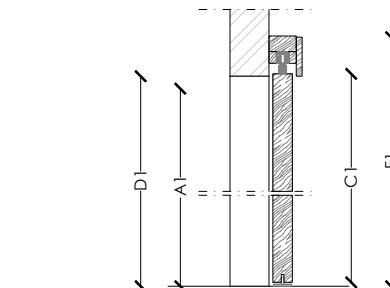
double sliding door without doorframe



vertical section



vertical section



legend

A = opening width	D - 90 mm
B = covering dimensions	D + 260 mm
C = door	D + 260 mm
D = door way	
E = doorframe dimensions	D - 20 mm
A1 = opening width	D1 - 53 mm
B1 = covering dimensions	D1 + 27 mm
C1 = door	D1 - 48 mm
D1 = door way	
E1 = doorframe dimensions	D1 - 18 mm
F1 = dimensions with cover	D1 + 55 mm

legend

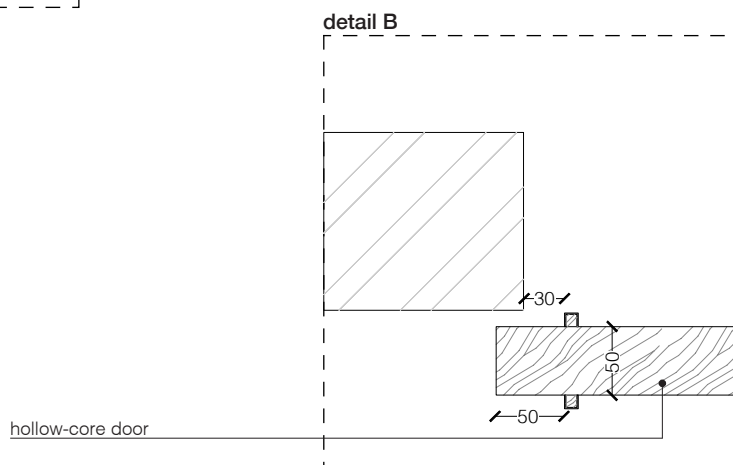
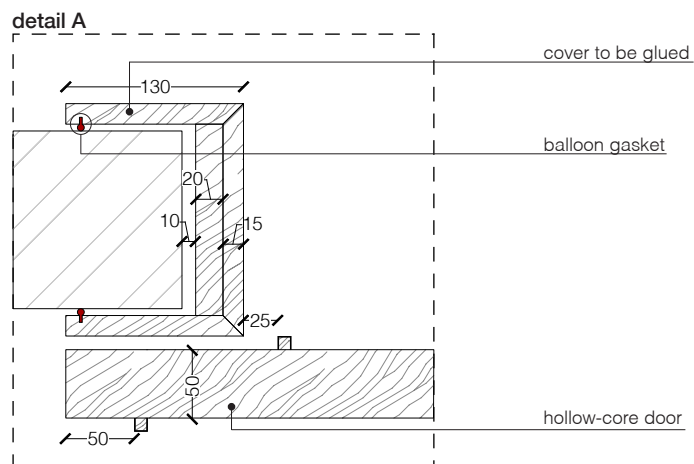
A = opening width	D
C = door	D + 50 mm
D = door way	
A1 = opening width	D1
C1 = door	D1 + 4 mm
D1 = door way	
F1 = dimensions with cover	D1 + 100 mm

Dimensions in millimeters.

The right to discontinue and make changes is reserved.

This information is based on the latest product information available at the time of printing.

_details



Dimensions in millimeters.

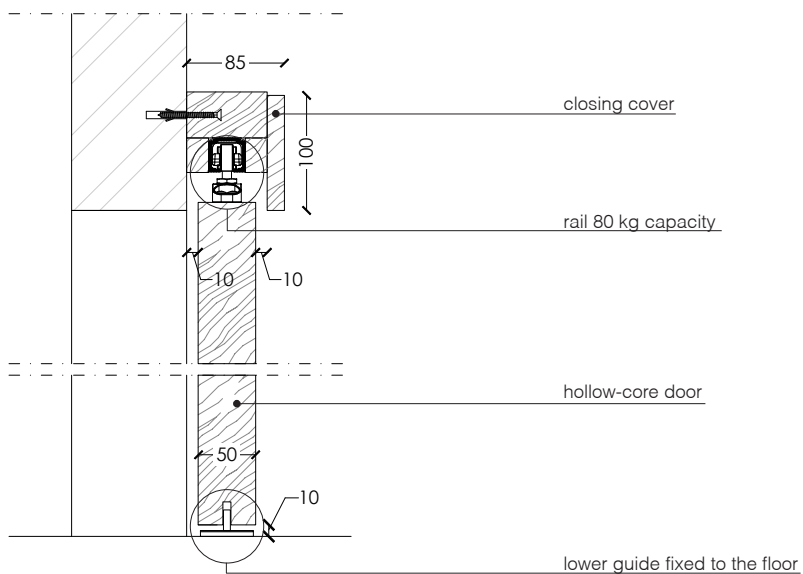
The right to discontinue and make changes is reserved.

This information is based on the latest product information available at the time of printing.

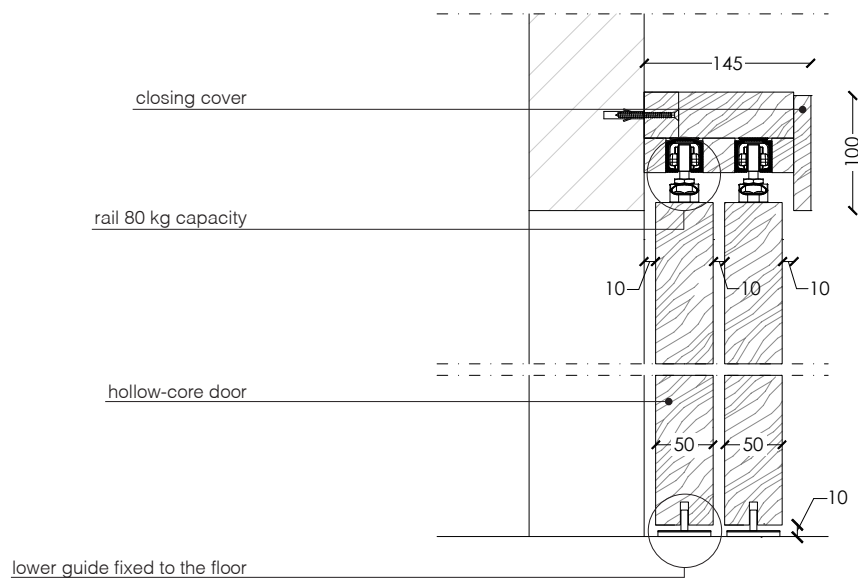
_dimensions

wall installation

door section with one way rail



door section with two-way rail



Dimensions in millimeters.

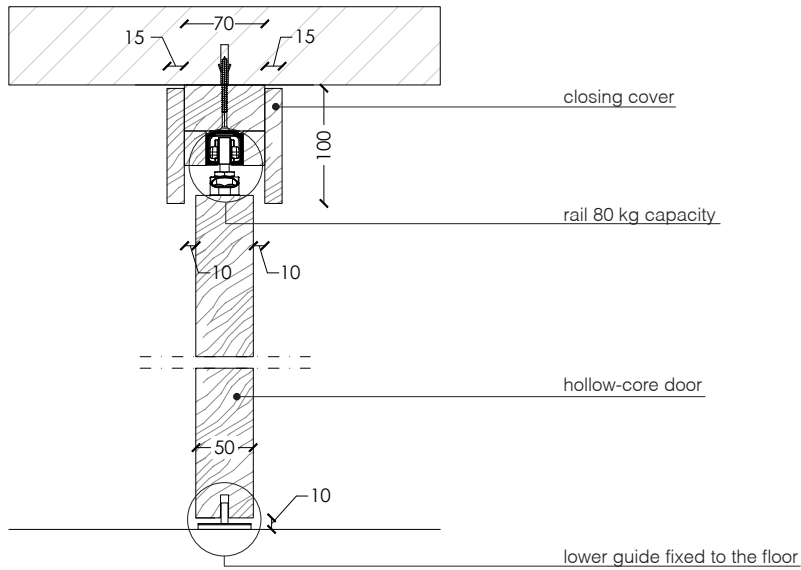
The right to discontinue and make changes is reserved.

This information is based on the latest product information available at the time of printing.

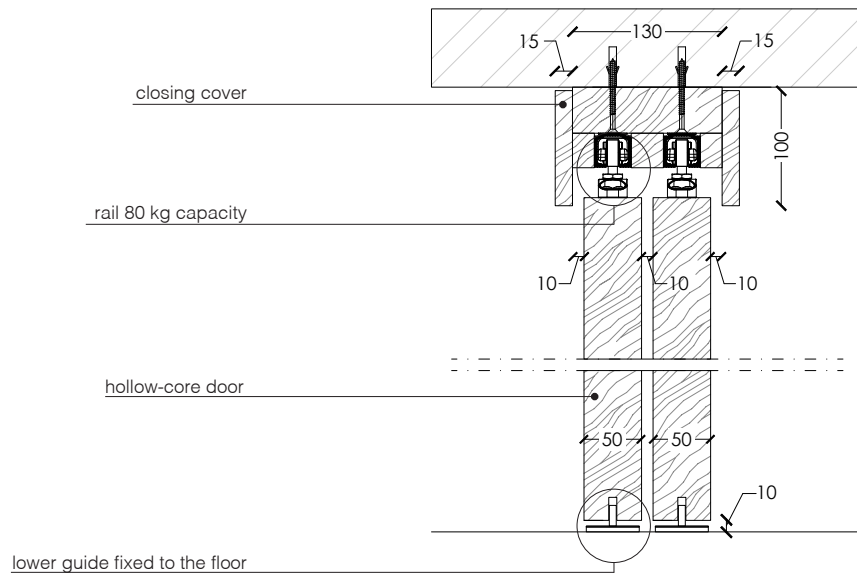
_dimensions

ceiling installation

door section with one way rail



door section with two-way rail



Dimensions in millimeters.

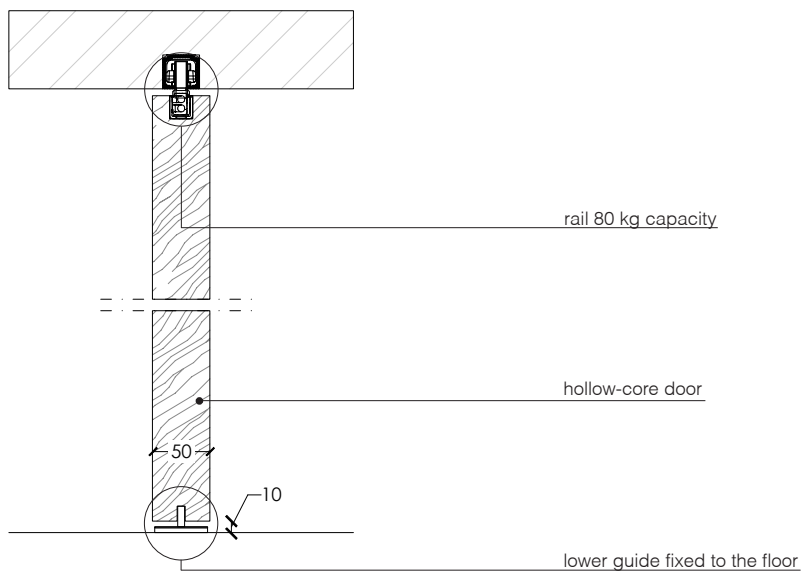
The right to discontinue and make changes is reserved.

This information is based on the latest product information available at the time of printing.

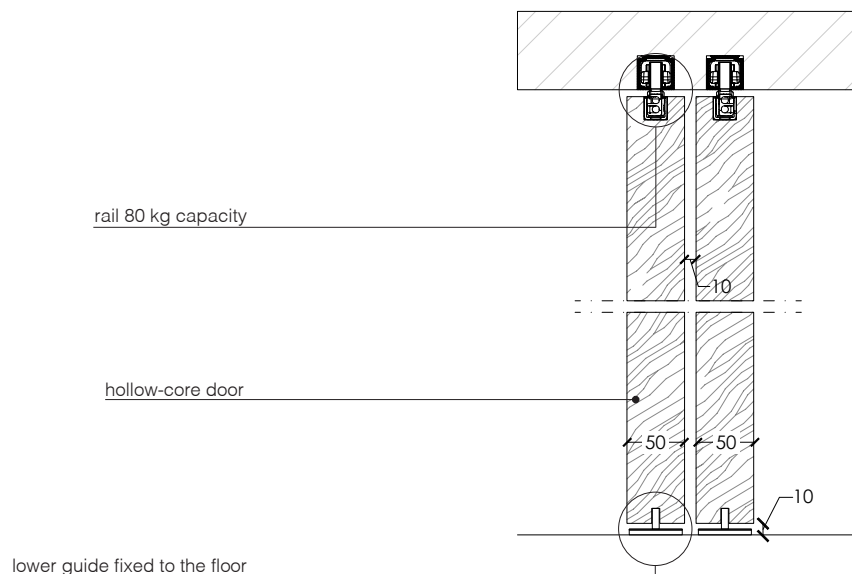
_dimensions

ceiling built-in installation

door section with one way rail



door section with two-way rail



_Dimensions in millimeters.

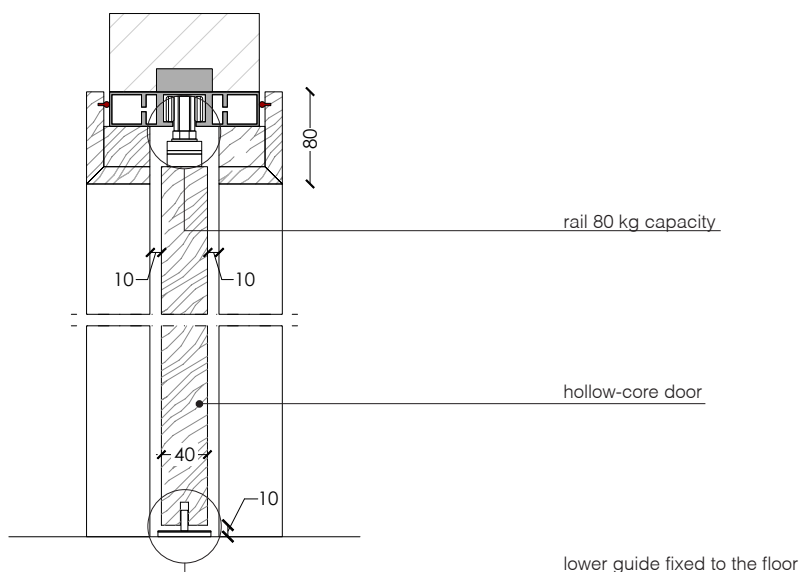
The right to discontinue and make changes is reserved.

This information is based on the latest product information available at the time of printing.

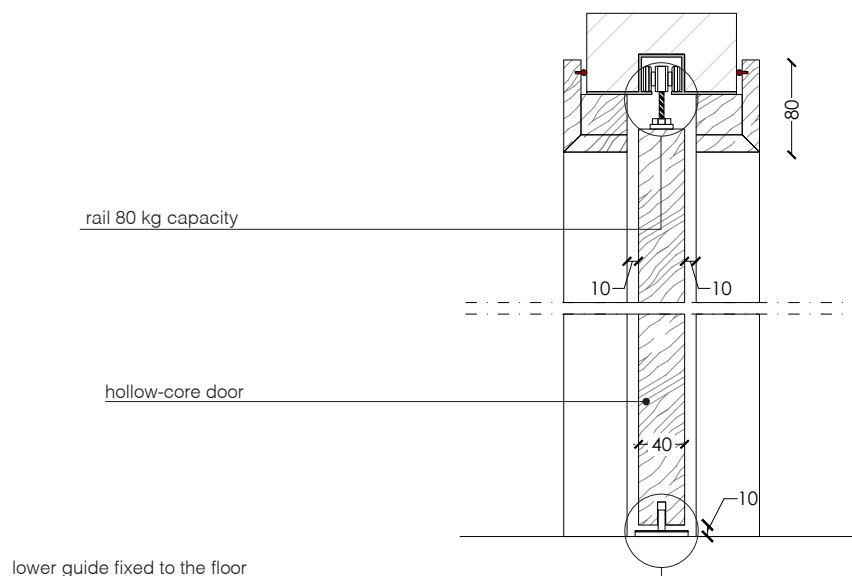
dimensions

ceiling built-in installation with doorframe

door section for doorframe "Scigno" mod. "Base"



door section for doorframe "Eclisse" mod. "Unico"



Dimensions in millimeters.

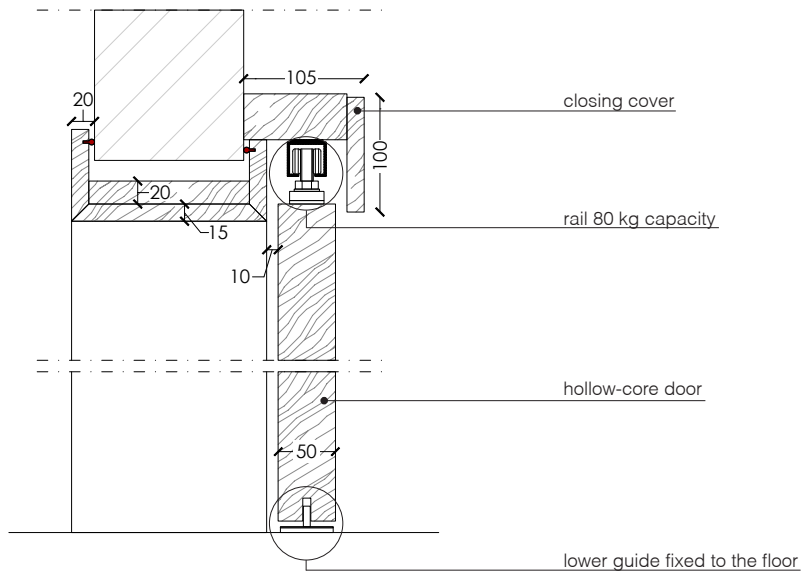
The right to discontinue and make changes is reserved.

This information is based on the latest product information available at the time of printing.

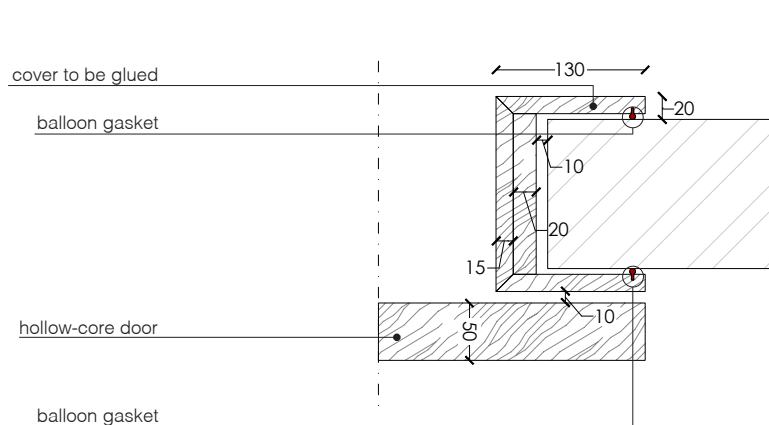
_dimensions

wall installation with doorframe

door section with one way rail



door section with two-way rail



_Dimensions in millimeters.

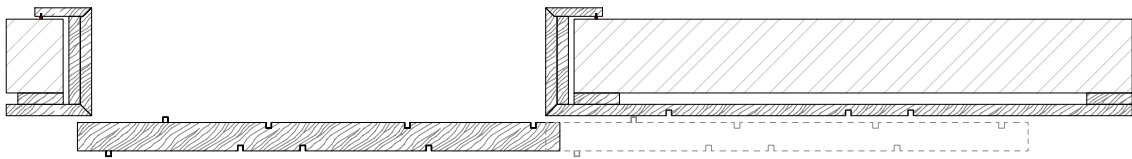
The right to discontinue and make changes is reserved.

This information is based on the latest product information available at the time of printing.

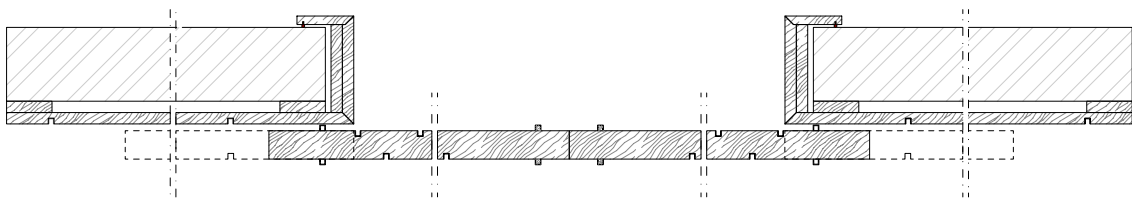
_special case

sliding door with wall panels and doorframe

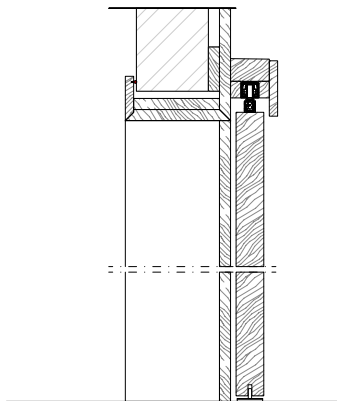
single sliding door



double sliding door



vertical section



_Dimensions in millimeters.

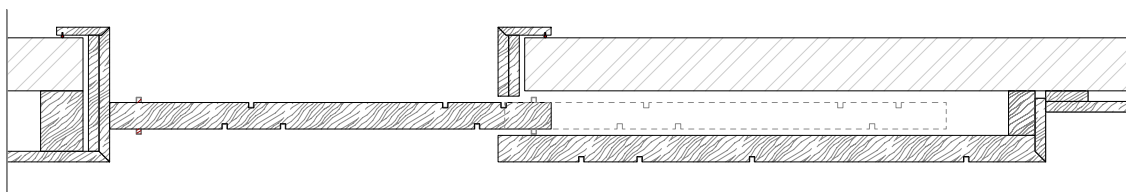
The right to discontinue and make changes is reserved.

This information is based on the latest product information available at the time of printing.

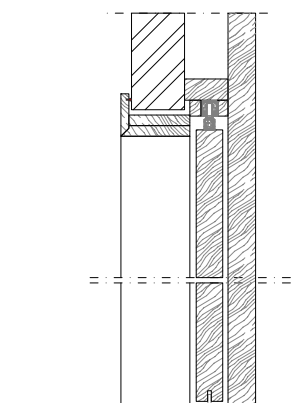
_special case

"pocket" sliding door with wall panels and doorframe

single sliding door



vertical section



_Dimensions in millimeters.

The right to discontinue and make changes is reserved.

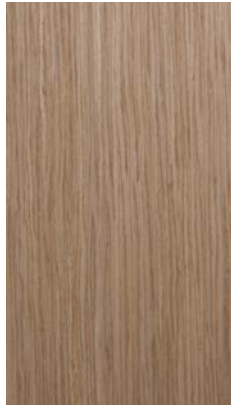
This information is based on the latest product information available at the time of printing.

_materials & finishes

plain woods



Maple



Oak



Teak



Zebrano



Canaletto Walnut



Dyed Canaletto Walnut



Ebony



Termocotto Oak



Rosewood



Wengè



Aniline dyed



Available in all
RAL / NCS colors

_The finishes shown are indicative and refer to the entire production range.
Laurameroni reserves the right to modify the range without warning.

_materials & finishes

brushed matt laquered



Brushed matt laquered



Available in all
RAL / NCS colors

_materials & finishes

line profiles



Brown finish profiles



Gold finish profiles

_The finishes shown are indicative and refer to the entire production range.
Laurameroni reserves the right to modify the range without warning.

_maintenance

_ WOOD

Wood is a high-quality natural product. To maintain the natural character of wood and to protect surfaces from mechanical and chemical wear, veneered surfaces are coated with a high quality transparent paint. For cleaning and care, do not use acids or alkali-based cleaners, agents with bleaching additive, scouring powder, steel wool, pot scourers or similar. Anything hot or damp will cause damage to the surface. Remove soiling and liquids immediately. Use a dry soft cloth for cleaning, eventually add a little neutral cleaning agent to the water. The cloth must be only slightly damp, to prevent discolouration or swelling of the surface. It is then essential to rub the surfaces dry, so that there is no residual moisture.

Il legno è un prodotto naturale di alta qualità. Per mantenere il carattere naturale del legno e proteggere le superfici dall'usura meccanica e chimica, le superfici impiallacciate sono rivestite con una vernice trasparente di alta qualità. Per la pulizia e la cura, non usare detersivi acidi o alcalini, agenti con additivi sbiancanti, polveri abrasive, lana d'acciaio, spugne o simili. Qualsiasi cosa calda o umida causerà danni alla superficie. Rimuovere immediatamente sporco e liquidi. Utilizzare un panno morbido e asciutto per la pulizia, eventualmente aggiungere un po' di detersivo neutro nell'acqua. Il panno deve essere solo leggermente umido, per evitare scolorimenti o rigonfiamenti della superficie. È quindi essenziale strofinare gentilmente le superfici asciutte, in modo che non ci sia umidità residua.

_maintenance

LACQUERED WOODS

Do not use acid or alkali-based cleaners. Do not use scouring agents, steel wool, pot cleaners or similar. Do not use solvents to clean painted surfaces. Pointed or sharp objects, such as blades or knives, can damage (scratch) the surface. Anything hot or damp will cause damage to the surface. Clean painted surfaces with a clean, soft, lint-free cloth to avoid abrasion with particles of dirt. For soft-finish paint surfaces, use a soft, lint-free, slightly damp cloth. If heavily soiled, paint surfaces can be cleaned more easily with a neutral (silicone-free) cleaning agent. Do not use furniture polish or other care products to clean soft-finish paint surfaces. It is then essential to rub the surface dry, so that there is no residual moisture. Clean painted surfaces regularly with a soft, lint-free cloth to remove dust.

Non utilizzare detergenti acidi o alcali. Non usare agenti abrasivi, lana d'acciaio, detergenti per pentole o simili. Non usare solventi per pulire le superfici verniciate. Oggetti appuntiti o taglienti, come lame o coltelli, possono danneggiare (graffiare) la superficie. Qualsiasi cosa calda o umida causerà danni alla superficie. Pulire le superfici verniciate con un panno pulito, morbido e privo di lanugine per evitare l'abrasione con particelle di sporco. Per superfici di vernice con finitura morbida, utilizzare un panno morbido, privo di lanugine e leggermente umido. Se molto sporchi, le superfici verniciate possono essere pulite più facilmente con un detergente neutro (privo di silicone). Non utilizzare lucidi per mobili o altri prodotti per la cura per pulire le superfici di vernice. È quindi essenziale strofinare delicatamente la superficie asciutta, in modo che non vi sia umidità residua. Pulire regolarmente le superfici verniciate con un panno morbido e privo di lanugine per rimuovere la polvere.

**BEDIF
FEREN
TBEUN
IQUE.**

LAURAMERONI s.r.l.
22040 Alzate Brianza (Como)
Via Manzoni, 2784
T +39 031 761450
info@laurameroni.com
www.laurameroni.com