

Margaret

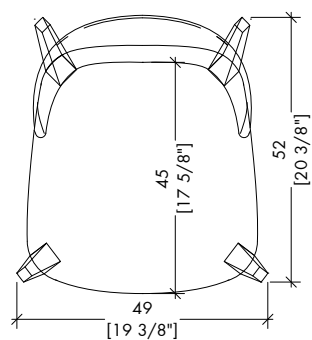
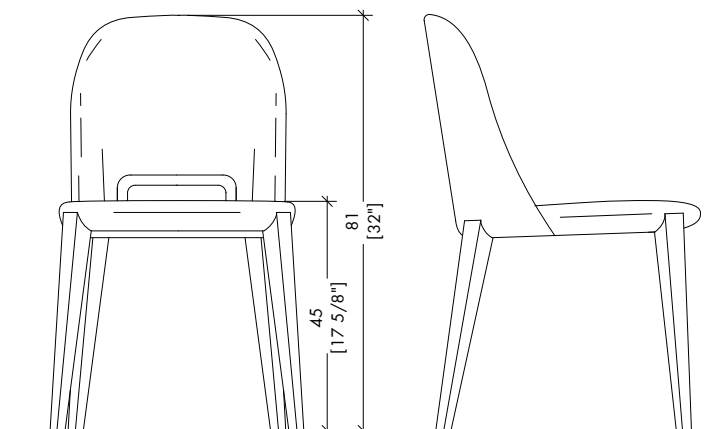
design Cesare Arosio

Chair with wood handle. The Margaret chair is characterized by sinuous lines that connect gently the back to the seat. The long, narrow legs intersect with the angular structure, creating harmonious details. The main and distinctive element of the chair is the handle, integrated in the backrest's curves.



Wood and leather

BEDIF
FEREN
TBEUN
IQUE



BEDIF
FEREN
TBEUN
IQUE