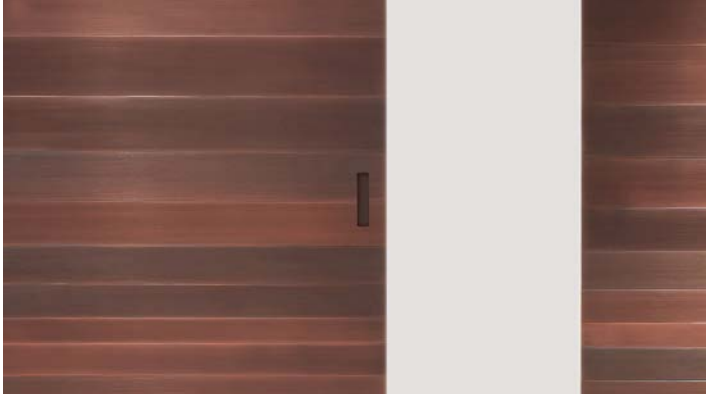


Stars sliding door - Stars collection

design Bartoli Design

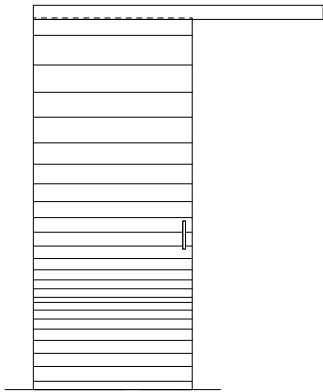


Sliding door completely clad in metal, available in different dimensions and finishes: satin brass, burnished brass, satin copper, burnished copper, polished steel and black iron "Cenere". This sliding door can be integrated with Stars Wall Panels. Stars Sliding Door can be used to divide spaces efficiently, maintaining the same surface, designed for elegant environments and characterized by a strong visual impact.

Porta scorrevole completamente rivestita in metallo, disponibile in diverse dimensioni e finiture: ottone satinato, ottone brunito, rame satinato, rame brunito, acciaio lucido e ferro nero "Cenere". Questa porta scorrevole può essere integrata con i pannelli boiserie Stars. La porta scorrevole Stars può essere usata per dividere spazi diversi in modo efficiente, mantenendo la stessa particolare superficie, disegnata per ambienti eleganti e caratterizzata da un forte impatto visivo.

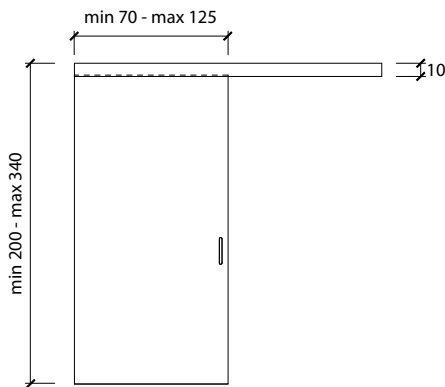


_range

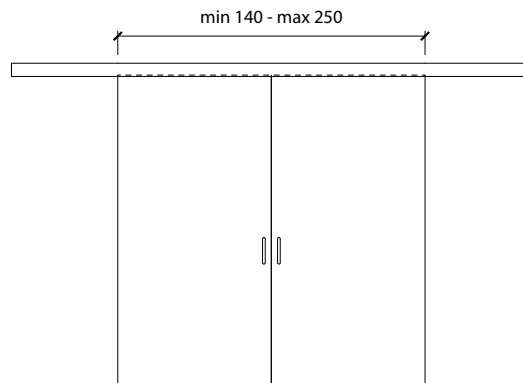


ST 61 SAL sliding door - porta scorrevole
porte battante - Flügeltür - распашная дверь

_dimensional limits



single sliding door



symmetrical double sliding door

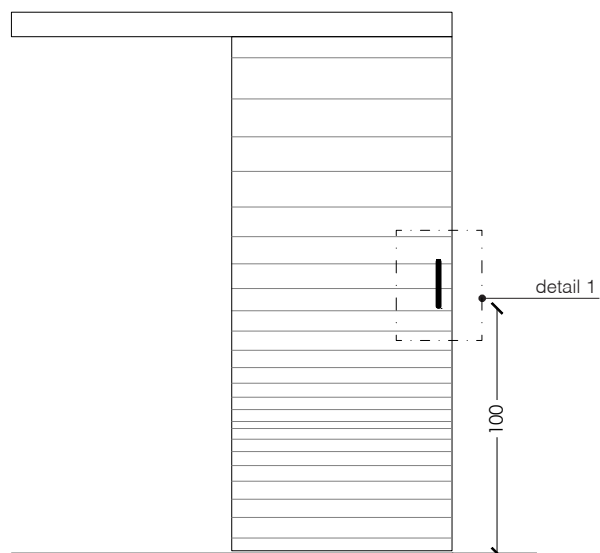
Dimensions in centimeters.

The right to discontinue and make changes is reserved.

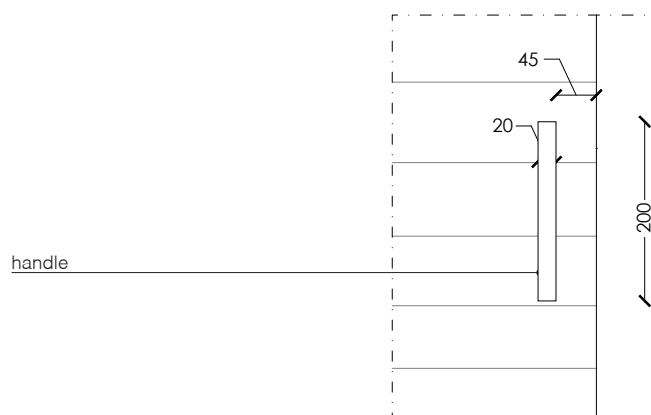
This information is based on the latest product information available at the time of printing.

_details

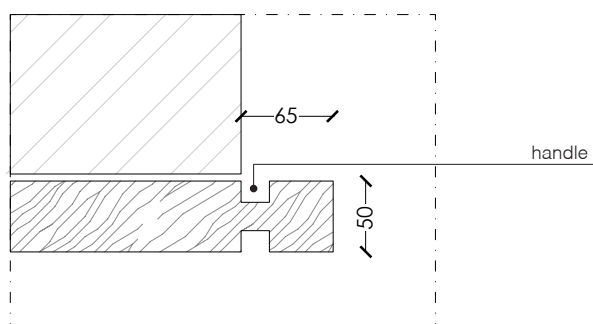
handle hollowed out in the door thickness



detail 1



door section



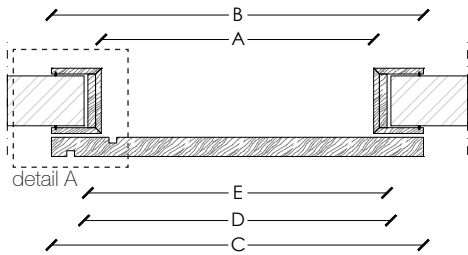
_Dimensions in millimeters.

The right to discontinue and make changes is reserved.

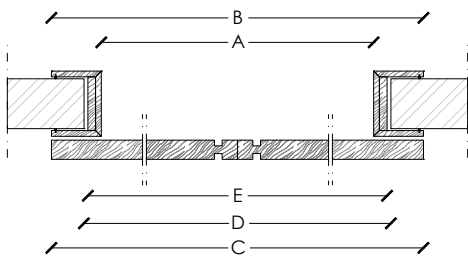
This information is based on the latest product information available at the time of printing.

_dimensions

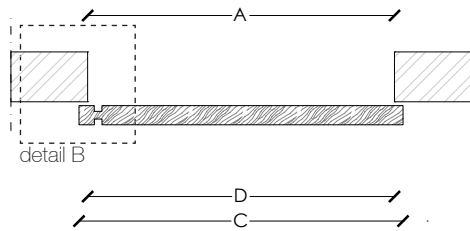
single sliding door with doorframe
door aligned with the covers



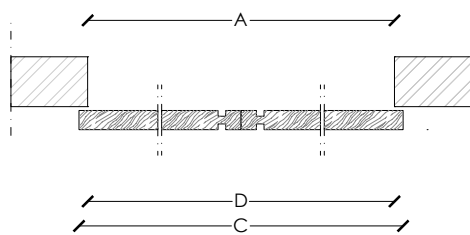
double sliding door with doorframe
door aligned with the covers



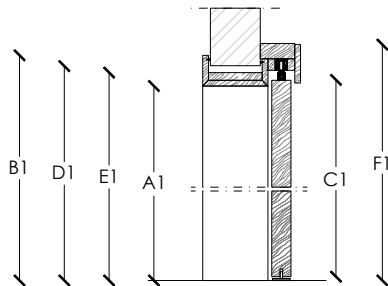
single sliding door without doorframe



double sliding door without doorframe



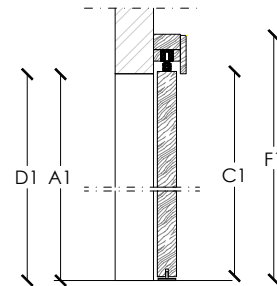
vertical section



legend

A = opening width	D - 90 mm
B = covering dimensions	D + 260 mm
C = door	D + 260 mm
D = door way	
E = doorframe dimensions	D - 20 mm
A1 = opening width	D1 - 53 mm
B1 = covering dimensions	D1 + 27 mm
C1 = door	D1 - 48 mm
D1 = door way	
E1 = doorframe dimensions	D1 - 18 mm
F1 = dimensions with cover	D1 + 55 mm

vertical section



legend

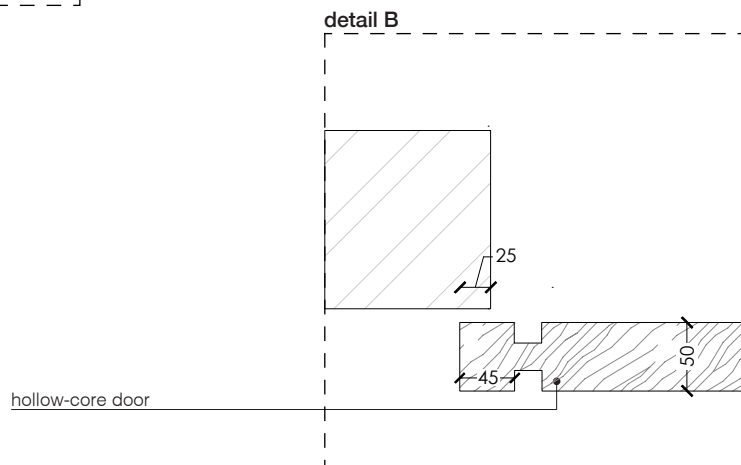
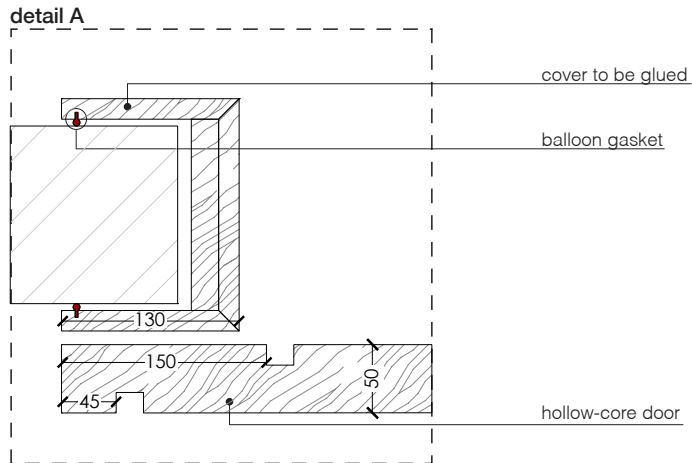
A = opening width	D
C = door	D + 50 mm
D = door way	
A1 = opening width	D1
C1 = door	D1 - 4 mm
D1 = door way	
F1 = dimensions with cover	D1 + 100 mm

Dimensions in millimeters.

The right to discontinue and make changes is reserved.

This information is based on the latest product information available at the time of printing.

_details



Dimensions in millimeters.

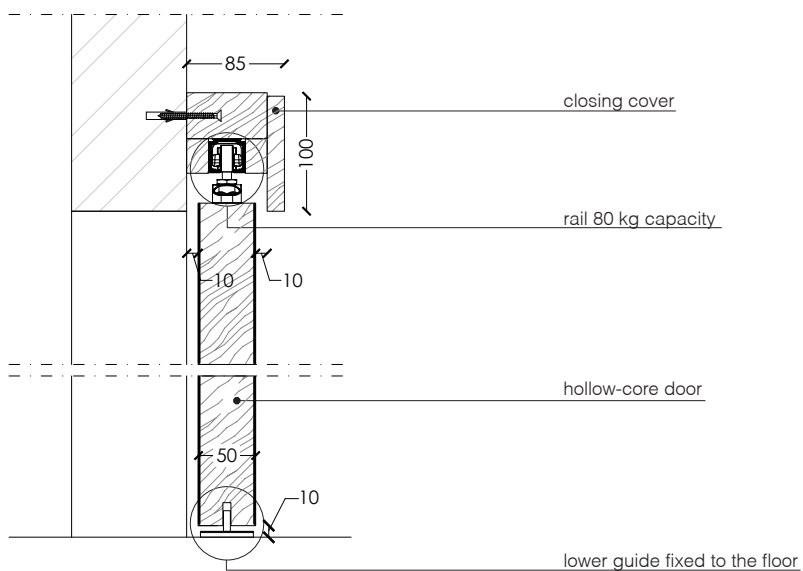
The right to discontinue and make changes is reserved.

This information is based on the latest product information available at the time of printing.

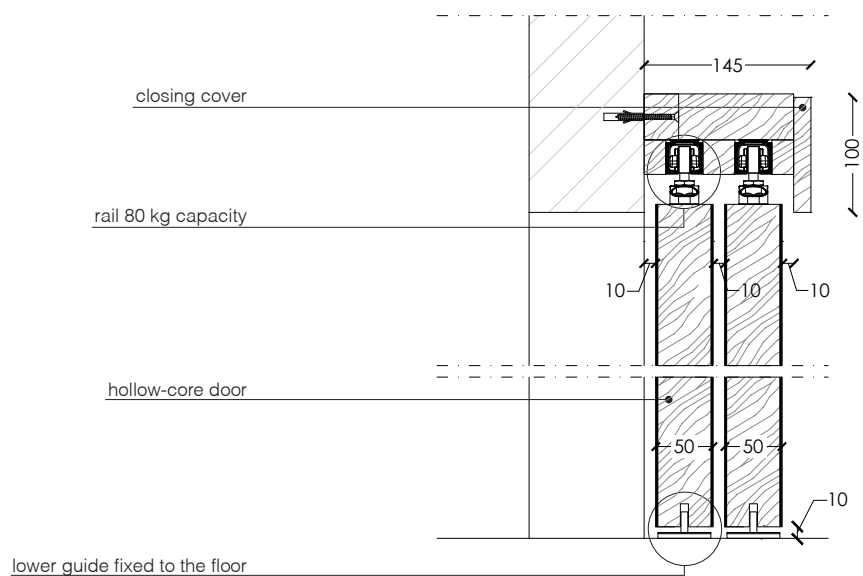
_dimensions

wall installation

door section with one way rail



door section with two-way rail



Dimensions in millimeters.

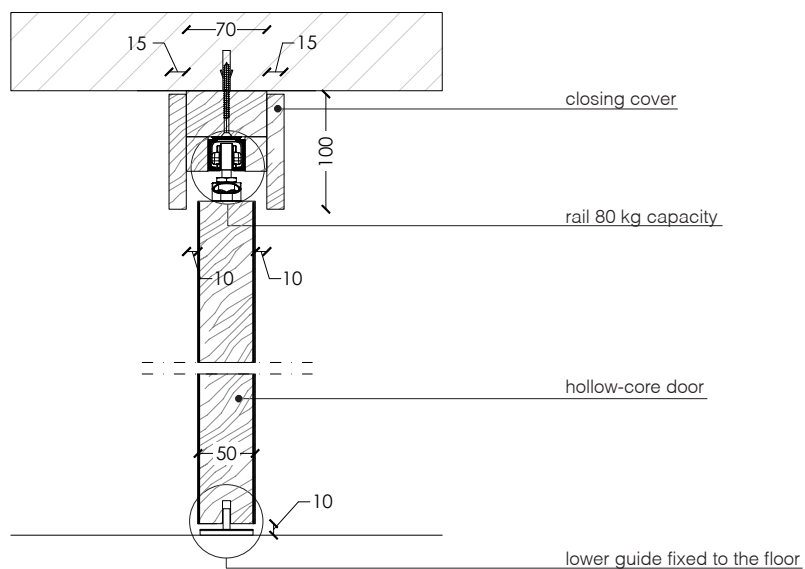
The right to discontinue and make changes is reserved.

This information is based on the latest product information available at the time of printing.

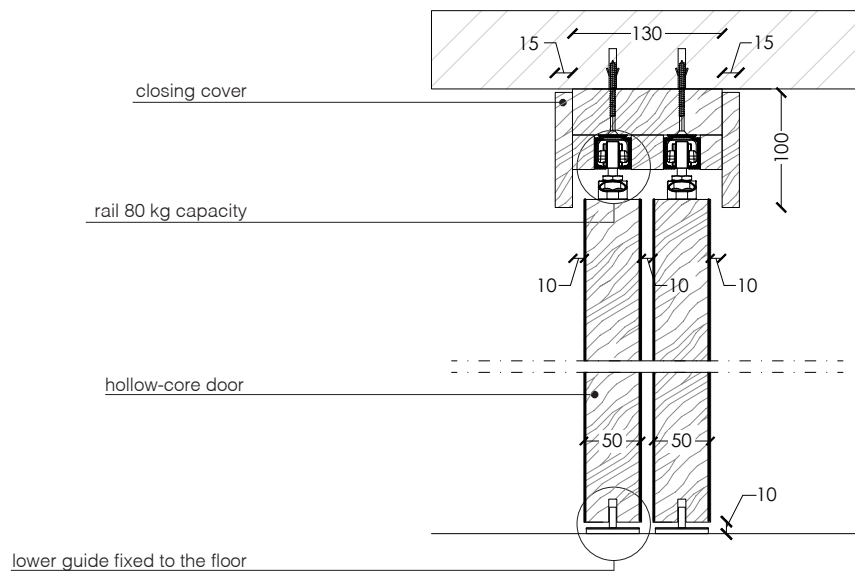
_dimensions

ceiling installation

door section with one way rail



door section with two-way rail



_Dimensions in millimeters.

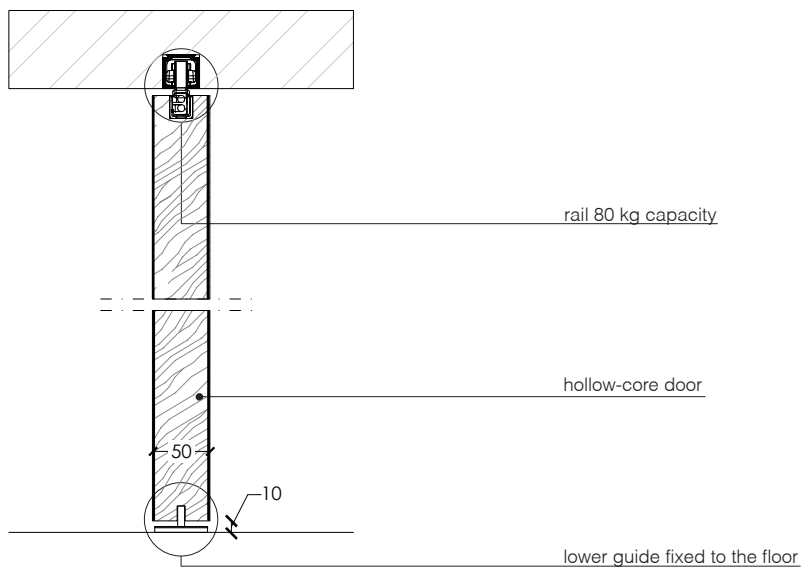
The right to discontinue and make changes is reserved.

This information is based on the latest product information available at the time of printing.

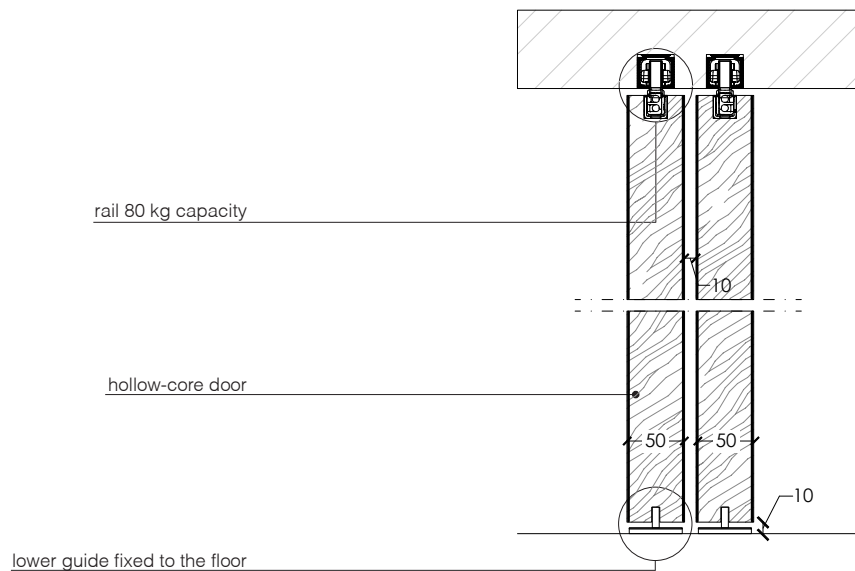
_dimensions

ceiling built-in installation

door section with one way rail



door section with two-way rail



_Dimensions in millimeters.

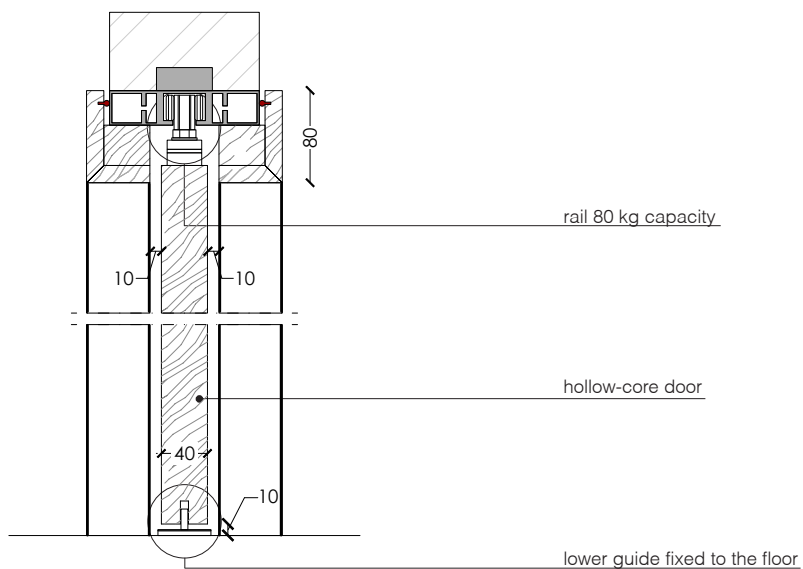
The right to discontinue and make changes is reserved.

This information is based on the latest product information available at the time of printing.

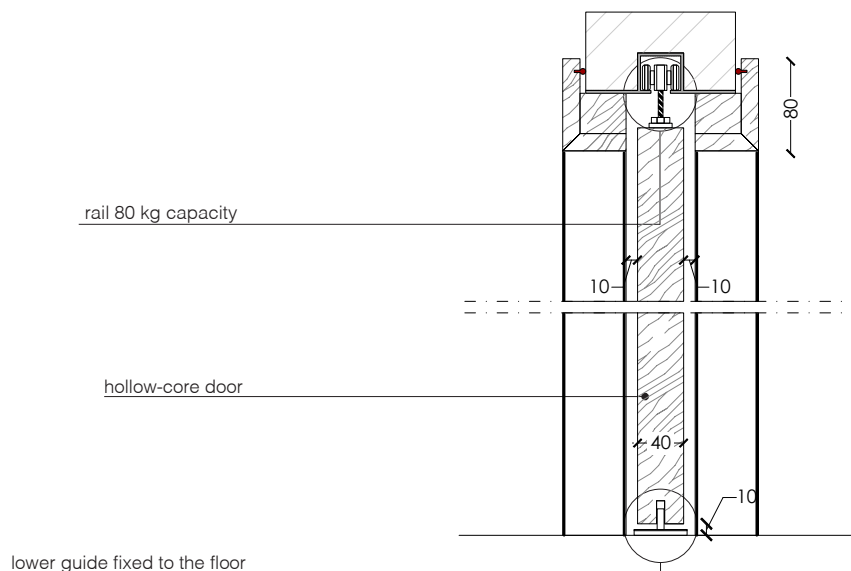
_dimensions

ceiling built-in installation with doorframe

door section for doorframe "Scigno" mod. "Base"



door section for doorframe "Eclisse" mod. "Unico"



Dimensions in millimeters.

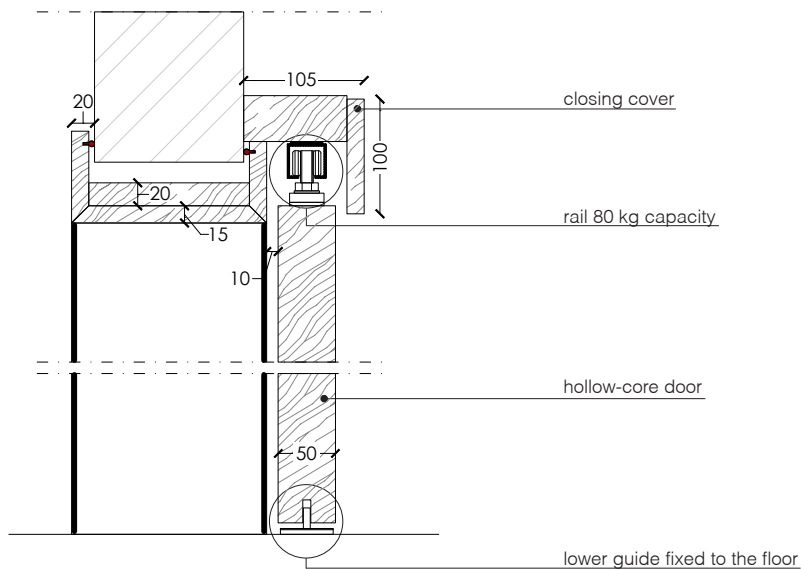
The right to discontinue and make changes is reserved.

This information is based on the latest product information available at the time of printing.

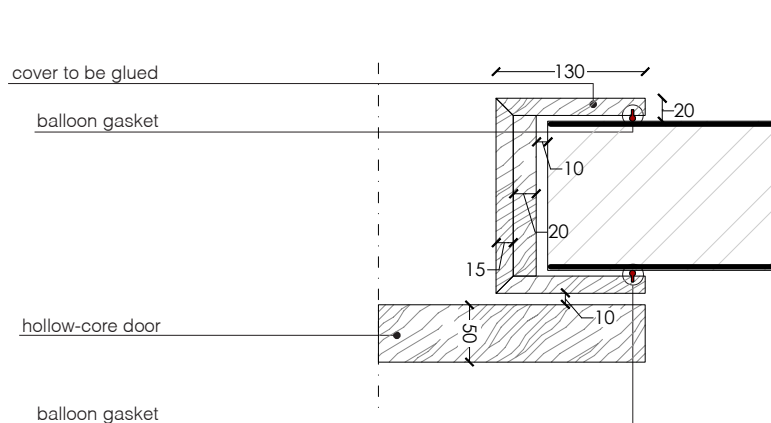
_dimensions

wall installation with doorframe

door section with one way rail



door section with two-way rail



_Dimensions in millimeters.

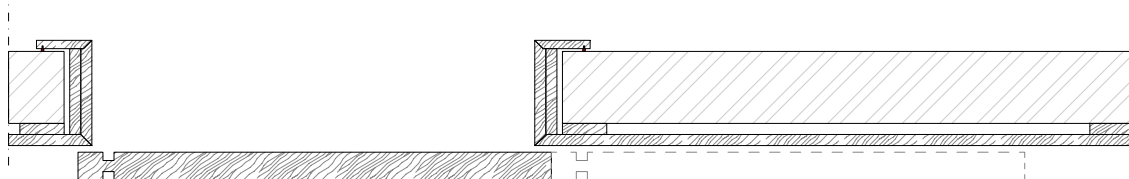
The right to discontinue and make changes is reserved.

This information is based on the latest product information available at the time of printing.

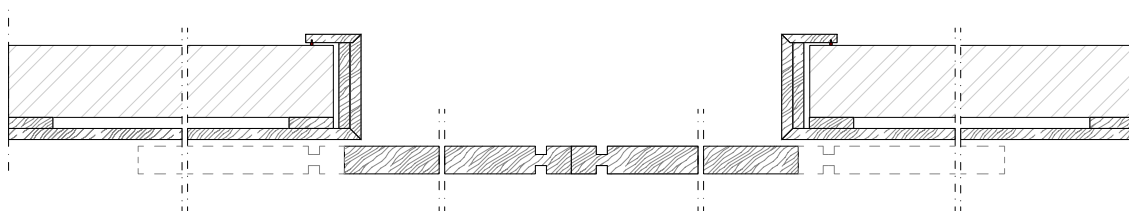
_special case

sliding door with wall panels and doorframe

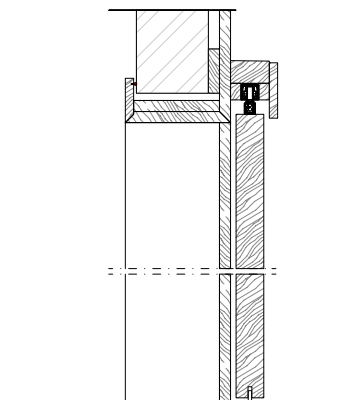
single sliding door



double sliding door



vertical section



_Dimensions in millimeters.

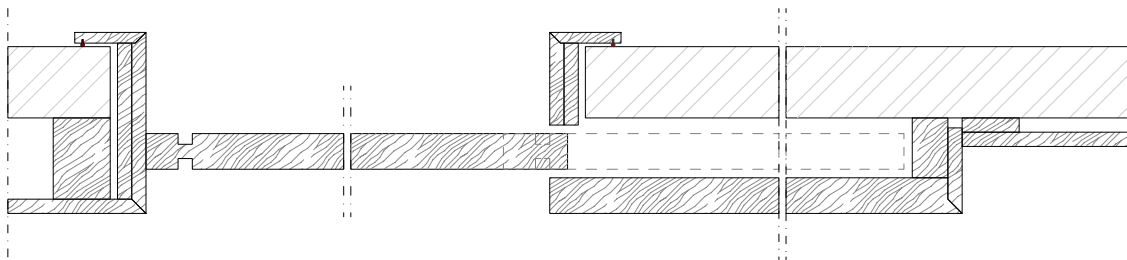
The right to discontinue and make changes is reserved.

This information is based on the latest product information available at the time of printing.

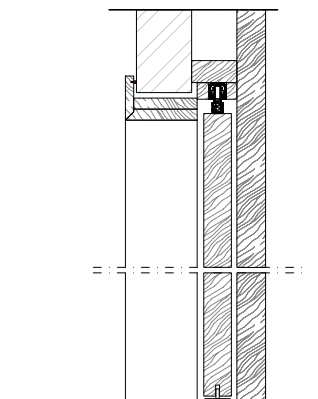
_special case

"pocket" sliding door with wall panels and doorframe

single sliding door



vertical section



_Dimensions in millimeters.

The right to discontinue and make changes is reserved.

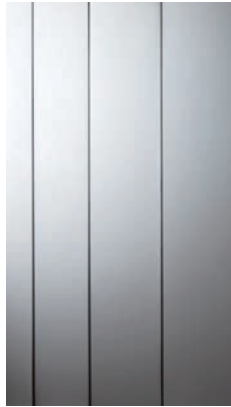
This information is based on the latest product information available at the time of printing.

_materials & finishes

metals



Black Iron "Genere"



Polished Steel



Burnished brass



Satin brass



Satin copper



Burnished copper

_The finishes shown are indicative and refer to the entire production range.
Laurameroni reserves the right to modify the range without warning.

_handles



Recessed satin steel handle



Recessed satin steel handle with lock

_maintenance

_METAL

Natural deviations in structure and colour of metals are part of the authenticity of this surface and are typical of the goods. The surface is specially hand-crafted in several complex manufacturing steps. At the end of the galvanic procedure, the surface is painted with a transparent protective lacquer which prevents further oxidising and discolouring. Differences in colour and structure are not faults, but typical of the goods, and are characteristics of manual processing: every piece is unique. For cleaning and maintenance do not use any acid, solvents or alkali-based cleaners. Do not use scouring agents, steel wool, pot cleaners or similar. Pointed or sharp objects, such as blades or knives, can damage the surface. Anything hot or damp can also be detrimental to the surface. Remove light soiling with a soft cloth and a neutral household cleaning product diluted in water. Clean the metal parts with cold or hand-hot water and finish by immediately drying with a soft cloth.

Le deviazioni naturali nella struttura e nel colore dei metalli fanno parte dell'autenticità di questa superficie e sono tipiche dei prodotti. La superficie è appositamente realizzata a mano in diverse fasi di produzione complesse. Al termine della procedura galvanica, la superficie viene verniciata con una vernice protettiva trasparente che impedisce ulteriore ossidazione e scolorimento. Le differenze di colore e struttura non sono difetti, ma tipici dei prodotti e sono caratteristiche della lavorazione manuale: ogni pezzo è unico. Per la pulizia e manutenzione non utilizzare detergenti acidi, solventi o alcali. Non usare agenti abrasivi, lana d'acciaio, detergenti per pentole o simili. Oggetti appuntiti o taglienti, come lame o coltelli, possono danneggiare la superficie. Qualsiasi cosa calda o umida può anche essere dannosa per la superficie. Rimuovere lo sporco leggero con un panno morbido e un prodotto per la pulizia neutro della casa diluito in acqua. Pulire le parti metalliche con acqua fredda o calda a mano e finire asciugando immediatamente con un panno morbido.

**BEDIF
FEREN
TBEUN
IQUE.**

LAURAMERONI s.r.l.
22040 Alzate Brianza (Como)
Via Manzoni, 2784
T +39 031 761450
info@laurameroni.com
www.laurameroni.com