

Tatami Slim door - Tatami collection

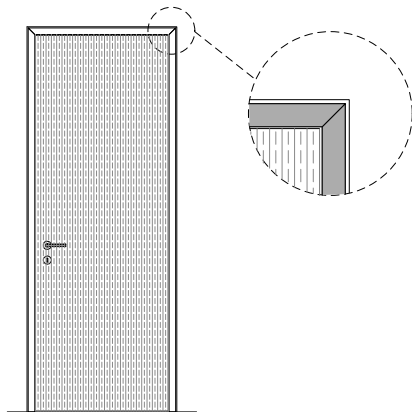
design Cesare Arosio



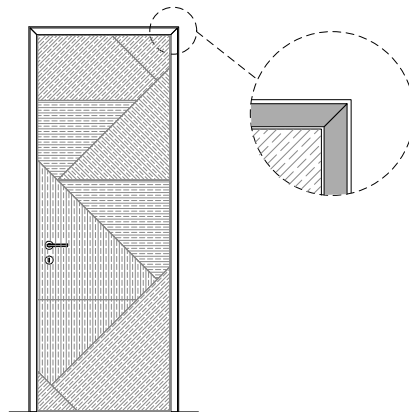
The Tatami collection is inspired by the geometries and three-dimensionality of a traditional Japanese flooring. The subtle and fine decoration in relief echoes the texture of the straw, revisiting it in more elegant, modern and refined terms.

La collezione Tatami si ispira alle geometrie ed alla tridimensionalità di una tradizionale pavimentazione giapponese. La sottile e fine decorazione in rilievo riecheggia la texture della paglia, rivisitandola in termini più eleganti, moderni e raffinati.

_range

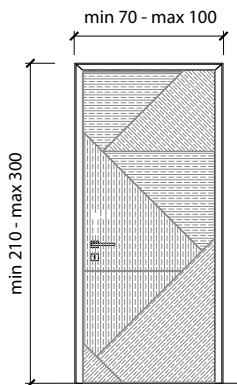


TAL 53 LC hinged door with lacquered doorframe
porta battente con stipiti laccati
porte battante avec huisseries laquées
Flügel Tür mit lackierten Pfosten
распашная дверь и лакированной коробкой



TAL 54 LC hinged door with lacquered doorframe
porta battente con stipiti laccati
porte battante avec huisseries laquées
Flügel Tür mit lackierten Pfosten
распашная дверь и лакированной коробкой

_dimensional limits



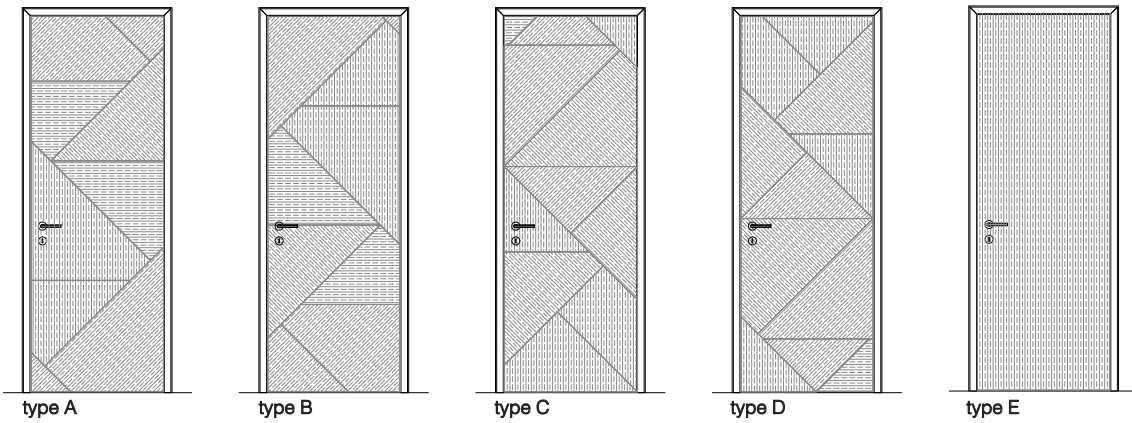
single hinged door

-Dimensions in centimeters.

The right to discontinue and make changes is reserved.

This information is based on the latest product information available at the time of printing.

_range



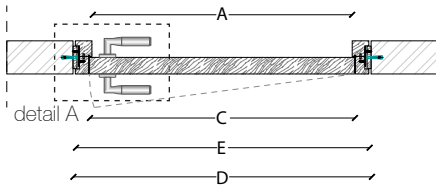
Dimensions in millimeters.

The right to discontinue and make changes is reserved.

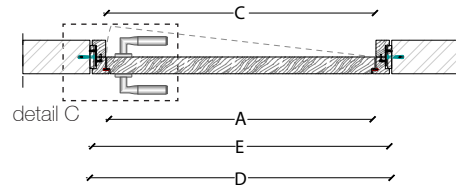
This information is based on the latest product information available at the time of printing.

_dimensions

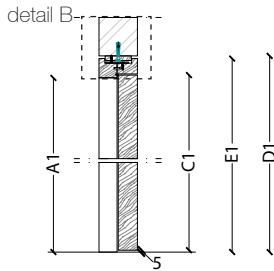
standard single hinged door



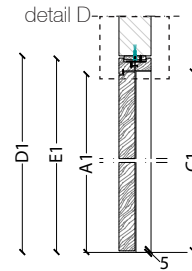
standard single hinged door



vertical section



vertical section



legend

A = opening width D - 114 mm
 C = door D + 100 mm
 D = door way
 E = doorframe dimensions D - 14 mm

A1 = opening width D1 - 57 mm
 C1 = door D1 - 55 mm
 D1 = door way
 E1 = doorframe dimensions D1 - 7 mm

legend

A = opening width D - 114 mm
 C = door D + 100 mm
 D = door way
 E = doorframe dimensions D - 14 mm

A1 = opening width D1 - 57 mm
 C1 = door D1 - 55 mm
 D1 = door way
 E1 = doorframe dimensions D1 - 7 mm

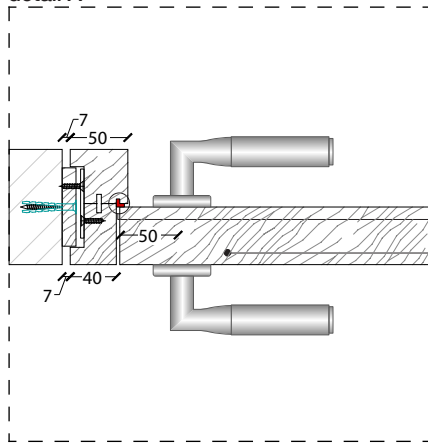
_Dimensions in millimeters.

The right to discontinue and make changes is reserved.

This information is based on the latest product information available at the time of printing.

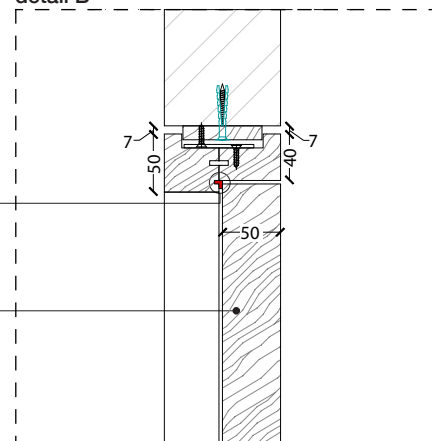
_details

detail A



joint in rubber reinforced with canvas
hollow-core door

detail B



joint in rubber reinforced with canvas

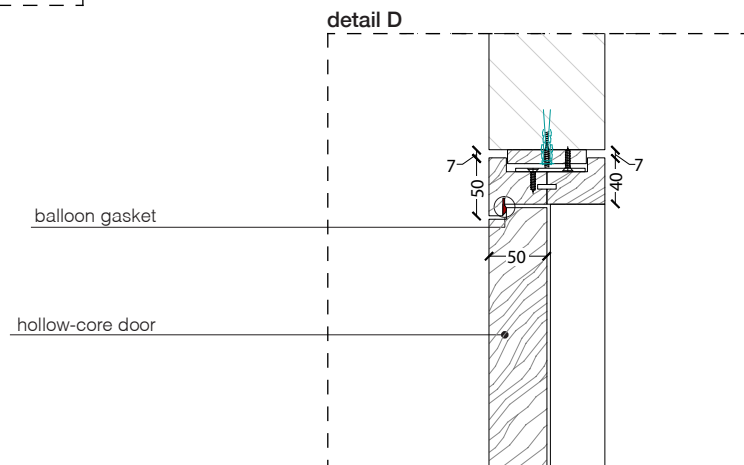
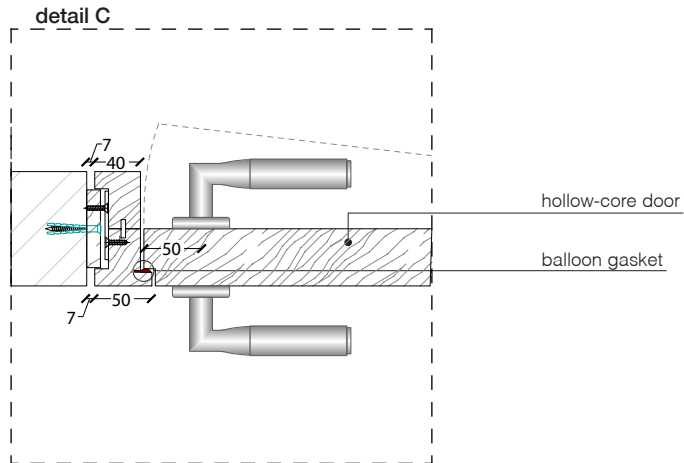
hollow-core door

Dimensions in millimeters.

The right to discontinue and make changes is reserved.

This information is based on the latest product information available at the time of printing.

_details

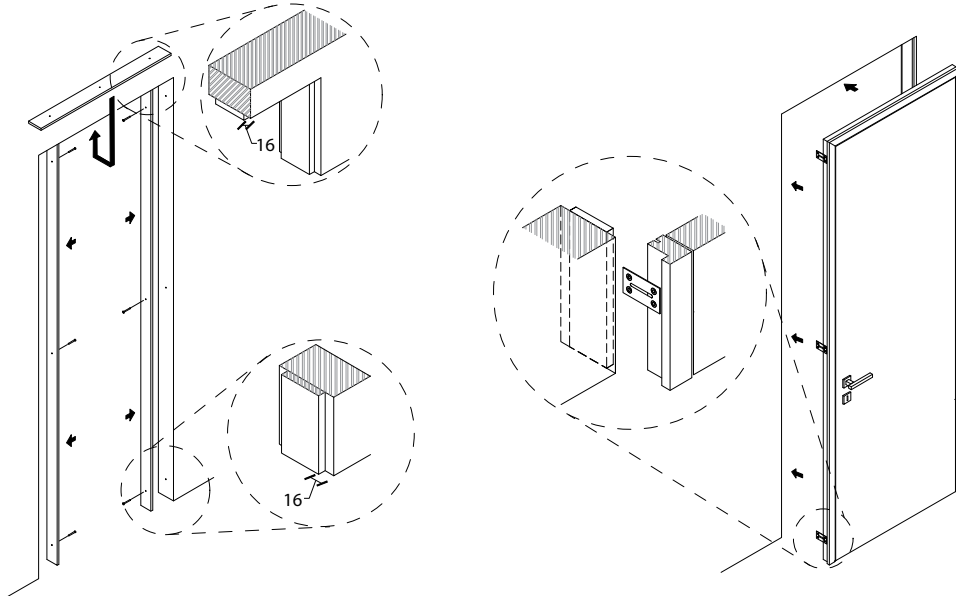


Dimensions in millimeters.

The right to discontinue and make changes is reserved.

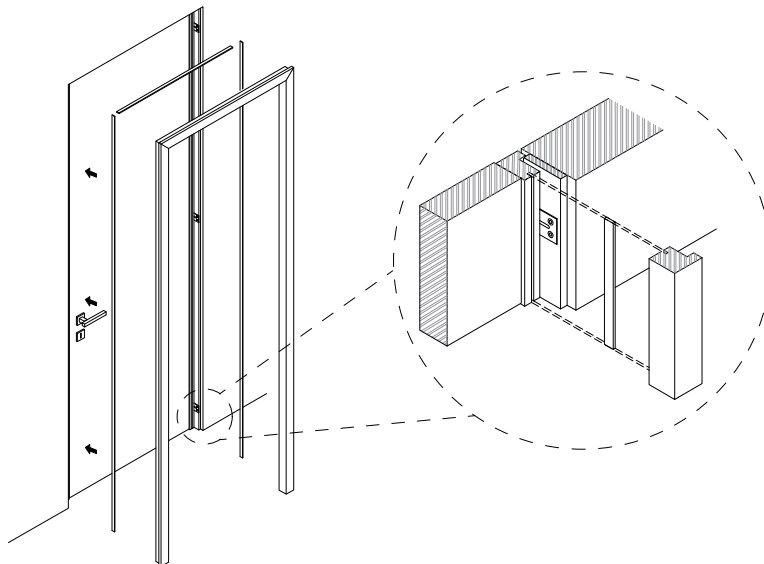
This information is based on the latest product information available at the time of printing.

_assembly instructions



-1 place the structure into the door way

-2 fix the doorframe to the structure using the supplied plates



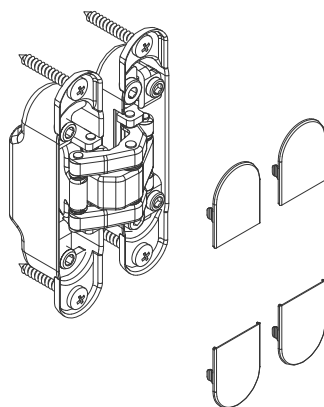
-3 glue the covers

Dimensions in millimeters.

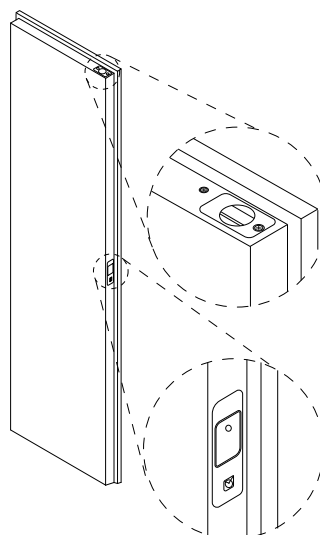
The right to discontinue and make changes is reserved.

This information is based on the latest product information available at the time of printing.

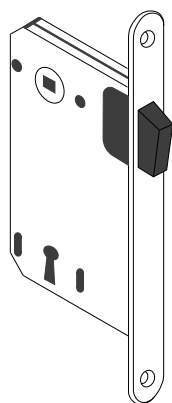
hardware details



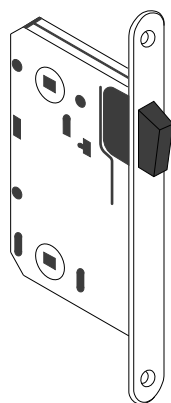
invisible hinges



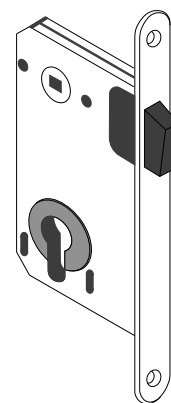
magnetic deadbolt for the secondary door of the double swing door



lock and Patent key



lock for pawl



lock for cylinder Yale type

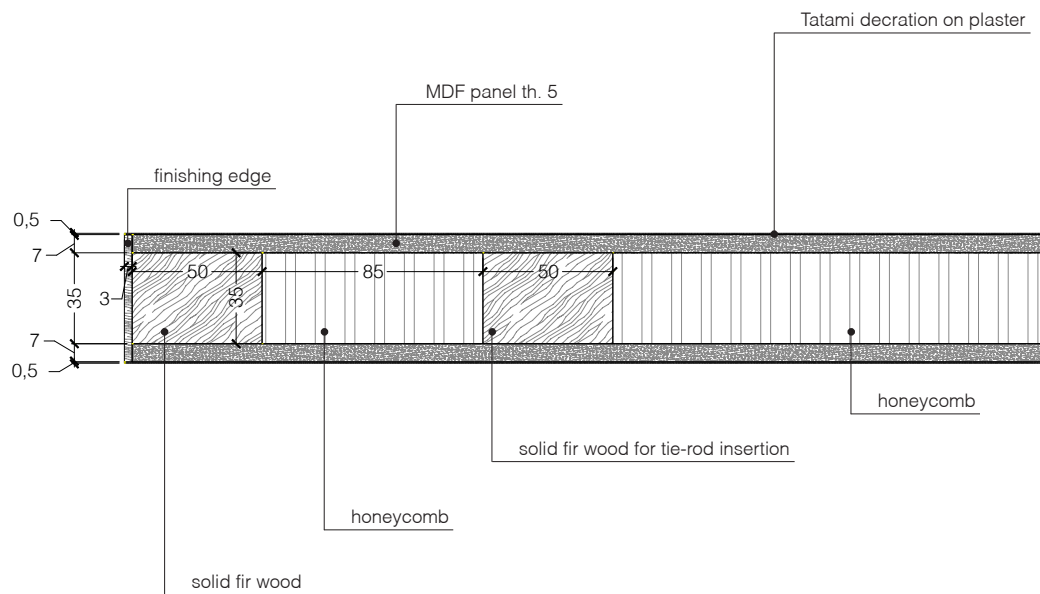
Dimensions in millimeters.

The right to discontinue and make changes is reserved.

This information is based on the latest product information available at the time of printing.

_details

section of the door



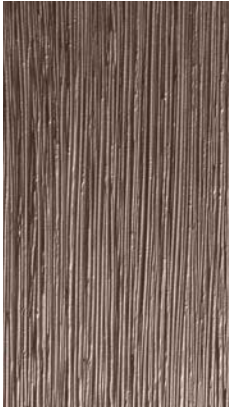
Dimensions in millimeters.

The right to discontinue and make changes is reserved.

This information is based on the latest product information available at the time of printing.

_materials & finishes

tatami



Tatami "Bronze"



Tatami "Gold" anodized



Tatami "Silver"



Tatami "Nickel"

_The finishes shown are indicative and refer to the entire production range.
Laurameroni reserves the right to modify the range without warning.

_handles

_iseo

round escutcheons



CR Cromo



CRS Cromo Satinato



HCS Carbonio Satinato



SNO Smalto Nero Opaco

_iseo

square escutcheons



CR Cromo



CRS Cromo Satinato



HCS Carbonio Satinato



SNO Smalto Nero Opaco

_lecco

round escutcheons



CR Cromo



CRS Cromo Satinato



HCS Carbonio Satinato



SNO Smalto Nero Opaco

_lecco

square escutcheons



CR Cromo



CRS Cromo Satinato



HCS Carbonio Satinato



SNO Smalto Nero Opaco

_handles

_orta



CR Cromo



CRS Cromo Satinato



HCS Carbonio Satinato



SNO Smalto Nero Opaco

_tomo



CR Cromo



CRS Cromo Satinato



NS Nichel Satinato

_varena



CR Cromo



CRS Cromo Satinato



HCS Carbonio Satinato

_varena wood



CR Cromo
con inserti in legno



CRS Cromo Satinato
con inserti in legno



HCS Carbonio Satinato
con inserti in legno

_maintenance

**PAINTS, LACQUERINGS AND
SPECIAL FINISHES**

Do not use acid or alkaline detergents, agents with bleaching additives, abrasive powders, steel wool, sponges or the like. Do not use furniture polish or solvents to care for painted surfaces. Anything hot or humid can cause surface damage. Pointed or sharp objects, such as blades or knives, can cause damage to the surface. For the cleaning and care, regularly wipe the surfaces with a clean, soft, lint-free cloth to remove dust while avoiding abrasion. For soft-finish painted surfaces, use a soft, lint-free, slightly damp cloth. If heavily soiled, painted surfaces can be cleaned with a neutral, silicone-free detergent. Finally, it is essential to gently rub dry surfaces, so that there is no residual moisture.

**TINTE, LACCATURE E FINITURE
SPECIALI**

Non usare detersivi acidi o alcalini, agenti con additivi sbiancanti, polveri abrasive, lana d'acciaio, spugne o simili. Non utilizzare lucidi per mobili o solventi per la cura delle superfici verniciate. Qualsiasi cosa calda o umida può causare danni alla superficie. Oggetti appuntiti o taglienti, come lame o coltelli, possono causare danni alla superficie. Per la pulizia e la cura, pulire regolarmente le superfici con un panno pulito, morbido e privo di lanugine per rimuovere la polvere evitando l'abrasione. Per le superfici verniciate con finitura morbida, utilizzare un panno soffice, privo di lanugine e leggermente umido. Se molto sporche, le superfici verniciate possono essere pulite con un detersivo neutro privo di silicone. È infine essenziale strofinare gentilmente le superfici asciutte, in modo che non sussista umidità residua.

**BEDIF
FEREN
TBEUN
IQUE.**

LAURAMERONI s.r.l.
22040 Alzate Brianza (Como)
Via Manzoni, 2784
T +39 031 761450
info@laurameroni.com
www.laurameroni.com